

BOSS
HYDRAULICS

**HYDRAULIC TOOLS & EQUIPMENT
FLUID POWER RANGE**

**POWERPACKS | AG CYLINDERS | MOBILE VALVES
HAND PUMPS | CUSTOM BUILT SYSTEMS**



WWW.BOSSHYDRAULICS.COM.AU

PH: 1300 BOSS HYD (1300 267 749) SALES@BOSSHYDRAULICS.COM.AU

LET YOUR BOSS DO THE HARD WORK



BOSS Hydraulics was born from over 150 years of collective experience in the hydraulic pump, cylinder and tooling market and is the flagship brand of the PT Industrial range.

We understand what you need, a quality product at a competitive price.

Every day, we strive to maintain the highest quality standards for our product and provide the best technical customer service offering in the market. That's why PT Hydraulics has been successful in delivering hydraulic solutions to the Australian and New Zealand market for over 35 years.

With BOSS, you can be sure that you'll get exactly what you need to get the job done, at a good honest price. That's our promise to you, so you can...

"Let your BOSS do the hard work"

BOSS

HYDRAULICS



DC/AC POWER PACKS

Pre built 2/24v power packs.....	4
Custom build power pack build code.....	8
DC Motors.....	10
Start Solenoids.....	11
Pressure Balanced Gear Pumps.....	12
Manifold Circuit Options.....	13
Steel Reservoirs.....	15
Plastic Reservoirs.....	18
Remote Pendants.....	19
Wiring Looms.....	20
Stackable Valve Manifolds.....	22

HYDRAULIC VALVES

Stackable Solenoid Valves.....	25
Cetop 3 Directional Valves.....	26
Cetop 3 Sandwich Valves.....	28
Din Plugs.....	30
Bolt Kits.....	30
Coils.....	31
Monoblock Mobile Valves.....	32

AGRICULTURAL CYLINDERS

AG Cylinder 1.5" Bore.....	36
AG Cylinder 2.0" Bore.....	37
AG Cylinder 2.5" Bore.....	38
AG Cylinder 3.0" Bore.....	39
AG Cylinder 3.5" Bore.....	40
AG Cylinder 4.0" Bore.....	41
AG Cylinder Pins.....	42
AG Cylinder Seal Kits.....	42
AG Counter Balance Valves.....	43

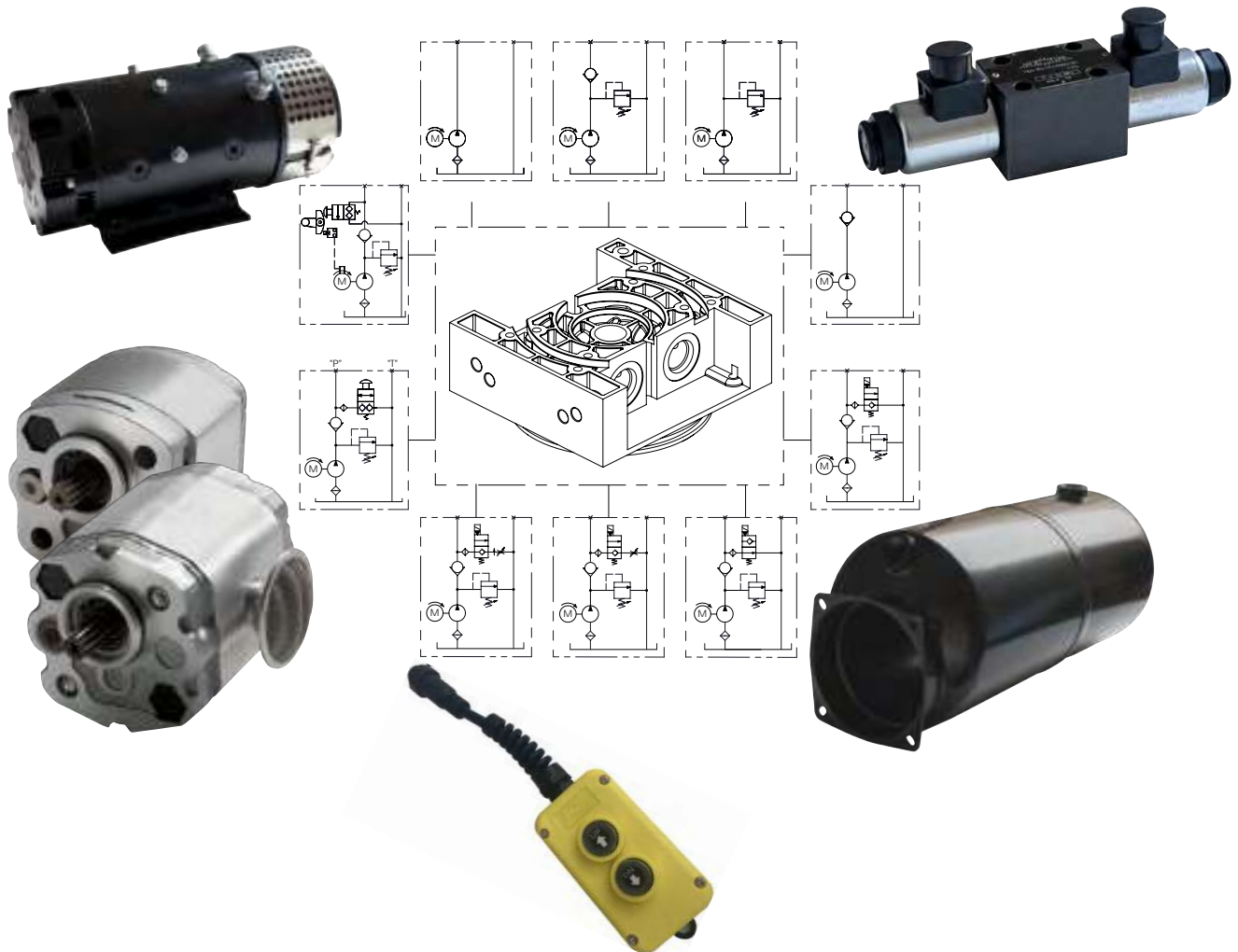
HAND PUMPS

With Release Hand Knob and Pressure Relief Valve	46
With 4/3 Divider Closed Centre and Pressure Relief Valve.....	47
Inline With Release Hand Knob.....	48
Hand Pump Tanks.....	49
Hand Pump Handles.....	49

CUSTOM BUILT SOLUTIONS

Assemble to Order (ATO) range.....	50
------------------------------------	----

DC/AC POWER PACKS**HYDRAULIC VALVES****AGRICULTURAL CYLINDERS****HAND PUMPS****CUSTOM BUILT SOLUTIONS**

FEATURES OVERVIEW

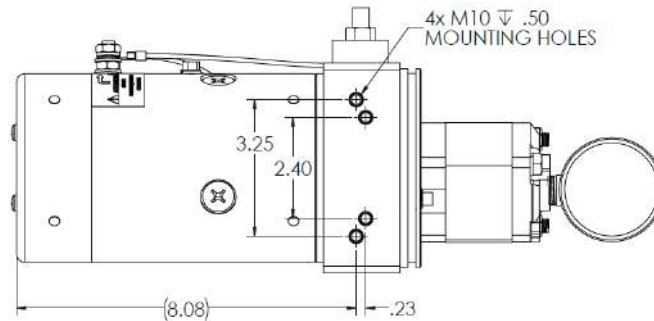
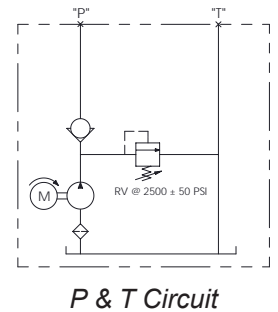
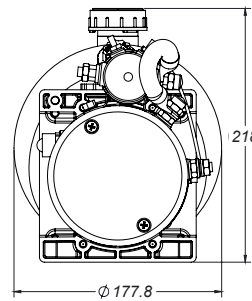
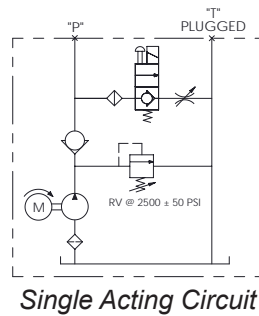
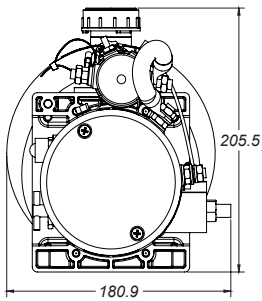
- Fully customisable with over 20 circuit options
- Available in 12/24v DC and 240/415v AC
- 19 “off the shelf” reservoir options
- Heavy duty or high power fan cooled DC motor options
- Manual override standard on single acting packs
- “Plug and Play” remote pendant options

PRODUCT OVERVIEW

PRODUCT	PAGE NUMBER
<i>Pre built "off the shelf" 12/24v power packs</i>	4
<i>Custom build power pack build code</i>	8
<i>DC motors</i>	10
<i>Start solenoids</i>	11
<i>Pressure balanced gear pumps</i>	12
<i>Manifold circuit options</i>	13
<i>Steel reservoirs</i>	15
<i>Plastic reservoirs</i>	18
<i>Remote pendants and wiring looms</i>	19
<i>Cetop 3 and stackable valve manifolds</i>	22

FEATURES AND BENEFITS

- Off the shelf products
- Extended duty motors
- 150 amp continuously rated start solenoid as standard
- Solenoid cover for weather protection
- 19 Different tank sizes available
- Manual override standard on single acting packs
- Adjustable lowering low control valve fitted as standard on single acting packs
- Flying lead as standard for single acting packs, ensures easy optional pendant connection



STANDARD MODELS

Model	Volts	Function	Pump Size	Reservoir Type	Reservoir Cap. (L)
BPT121-01	12	P & T	2.1	No Tank	No Tank
BSA121-01	12	S/A			
BPT221-01	24	P & T			
BSA221-01	24	S/A			

For other reservoir size options use 'no tank' option and add reservoir from following page

RESERVOIRS

Model	Type	Useable Volume (L)	Length (mm)
8080-21-K	Round Steel	1.5	159
8080-2-K	Round Steel	2	213
8080-3-K	Round Steel	3	292
8080-4-K	Round Steel	4	378
8080-5-K	Offset Steel	4	232
8080-6-K	Offset Steel	6	318
8080-8-K	Offset Steel	8	403
8080-10-K	Offset Steel	10	489
8080-12-K	Offset Steel	12	575
8080-8-S-K	Square Steel	8	235
8080-12-K	Square Steel	12	349
8080-16-K	Square Steel	16	470
8080-20-K	Square Steel	20	581
8181-35-K	Square plastic	3	203
8181-5-K	Square plastic	4	267
8181-6-K	Square plastic	6	337
8282-8-K	Square plastic	8	440
8282-10-K	Square plastic	10	632
8282-16-K	Square plastic	14	699


Round Steel

Offset Steel

Square Steel

Square Plastic
PENDANT OPTIONS

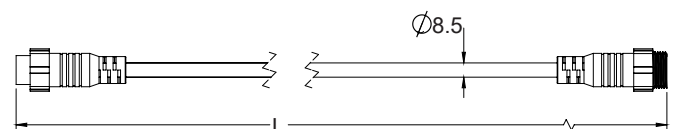
“Plug and play” pendants available with or without battery indicator

Model	Description
395-55	Two button Pendant
395-55-L	Two button Pendant with LED **

*** Only suitable for single acting units*

Pendant Extension Cables available in 4.5m and 7.6m lengths

Model	Description
74-06	4.5m Pendant Extension Cable
74-07	7.6m Pendant Extension Cable



For complete range of power pack options contact BOSS Hydraulics

BUILD CODE
DC MOTOR

Build Code	Description
A	12v 4.5", 1.8kw, 1 Term
B	12v 4.5", 1.8kw, 2 Term
C	24v 4.5", 2.5kw, 1 Term
D	24v 4.5", 2.5kw, 2 Term
E*	12/24v 5", 3.8/5.8kw 2 Term

AC MOTOR**

Build Code	Description
240A	240v, 0.37kW, 2 Pole
240B	240v, 0.55kW, 2 Pole
240C	240v, 0.75kW, 2 Pole
240D	240v, 1.1kW, 2 Pole
240E	240v, 1.5kW, 2 Pole
240F	240v, 2.2kW, 2 Pole
240G	240v, 3.0kW, 2 Pole
240J	240v, 0.25kW, 4 Pole
240K	240v, 0.37kW, 4 Pole
240L	240v, 0.55kW, 4 Pole
240M	240v, 0.75kW, 4 Pole
240N	240v, 1.10kW, 4 Pole
240P	240v, 1.50kW, 4 Pole
240Q	240v, 2.20kW, 4 Pole
240R	240v, 3.00kW, 4 Pole
415A	415v, 0.37kW, 2 Pole
415B	415v, 0.55kW, 2 Pole
415C	415v, 0.75kW, 2 Pole
415D	415v, 1.1kW, 2 Pole
415E	415v, 1.5kW, 2 Pole
415F	415v, 2.2kW, 2 Pole
415G	415v, 3.0kW, 2 Pole
415K	415v, 0.25kW, 4 Pole
415L	415v, 0.37kW, 4 Pole
415N	415v, 0.55kW, 4 Pole
415P	415v, 0.75kW, 4 Pole
415R	415v, 1.1kW, 4 Pole
415S	415v, 1.5kW, 4 Pole
415U	415v, 2.2kW, 4 Pole
415W	415v, 3.0kW, 4 Pole

DC START SOLENOID

Build Code	Description
1	12v, 3 Term, Plastic
2	12v, 4 Term, Plastic
3	24v, 3 Term, Plastic
4	24v, 4 Term, Plastic
5	12v, 3 Term, Steel
6	12v, 4 Term, Steel
7	24v, 3 Term, Steel
8	24v, 4 Term, Steel
9	Not Required

PUMP

Build Code	Description
A	0.63 cc
B	0.80 cc
C	1.20 cc
D**	1.60 cc
E**	2.10 cc
F**	2.50 cc
G**	2.70 cc
H**	3.20 cc
J**	4.20 cc
K**	5.10 cc
L**	6.00 cc

CIRCUIT

Build Code	Description
A	101
B	102
C	102A
D	102B
E	103
F	103A
G	104A
H	104B
J	105
K	108
L	109
M	110
N	111
P	114
Q	114A
R	114B
S	114C
T	114D
U	208
V	211
W	215
X	216
Y	106



* These motors are only available with circuits #A-J and Y

** Pumps suitable for AC Units

**CENTRE
MANIFOLD COIL
TERMINALS*****

Build Code	Description
0	Not Required
1	Dual Spade
2	Single Stud
3	Hirschmann

RESERVOIR

Build Code	Description
A	Not required
B	1.5 LTR Round Steel
C	2 LTR Round Steel
D	3 LTR Round Steel
E	4 LTR Round Steel
F	4 LTR Steel Offset
G	6 LTR Steel Offset
H	8 LTR Steel Offset
J	10 LTR Steel Offset
K	12 LTR Steel Offset
L	8 LTR Steel Square
M	12 LTR Steel Square
N	16 LTR Steel Square
P	20 LTR Steel Square
Q	3 LTR Plastic
R	4 LTR Plastic
S	6 LTR Plastic
T	8 LTR Plastic
U	10 LTR Plastic
V	14 LTR Plastic
Z	Special

PLUMBING

Build Code	Description
1	Horizontal
2	Vertical
3	Horizontal/ Vertical

RELIEF

Build Code	Description
A	70 Bar
B	105 Bar
C	140 Bar
D	175 Bar
E	210 Bar
F	240 Bar
G	OTHER

**UNIQUE
CODE**

* *

OPTIONS

PENDANTS MANIFOLDS VALVES



SINGLE STUD

DUAL STUD

DIN

*** For AC units please nominate voltage

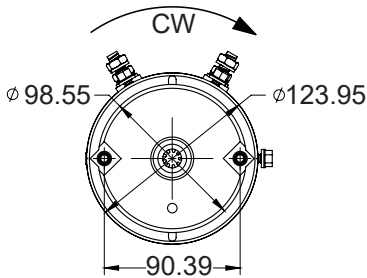
HEAVY DUTY MOTORS

- 4.5", 4 field series wound
- Available with single terminal internally grounded and two terminal externally grounded models
- Up to 2.5kw of power
- Clockwise rotation

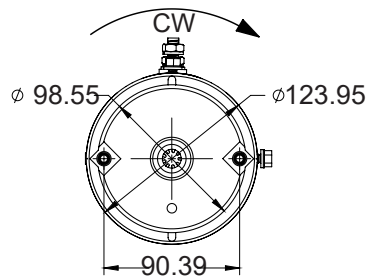


SPECIFICATIONS

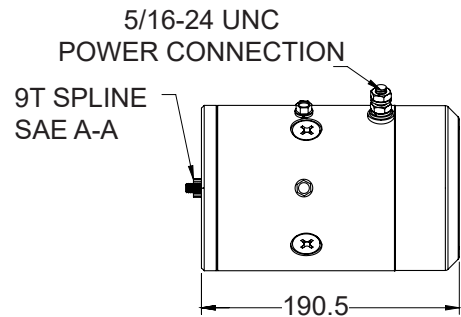
Build Code	Model	Voltage	Terminals	Torque (Nm)	Current (Amp)	Speed (rpm)	Power (kw)
A	1245-29	12	1	5.65	200	3000	1.8
B	1245-30	12	2	5.65	200	3000	1.8
C	2445-6	24	1	7.91	140	3000	2.5
D	2445-7	24	2	7.91	145	3000	2.5



1/4-20UNC MOUNTING SCREWS



1/4-20UNC MOUNTING SCREWS



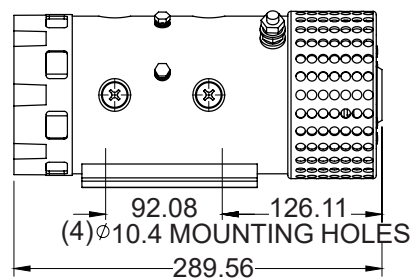
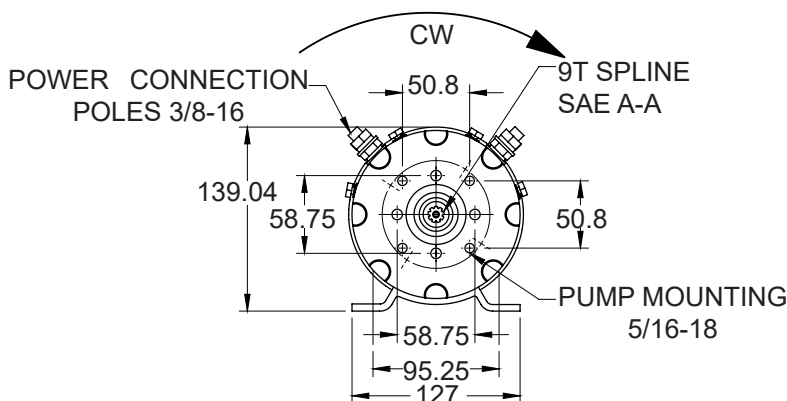
HIGH POWER MOTORS

- 5" open end fan cooled
- Two terminal externally grounded
- Up to 5kw of power
- Clockwise rotation
- Dual voltage 12v/24v
- Suitable for UM1 Manifolds and APU's only
- Not suitable for UM2 and UM3 Manifolds



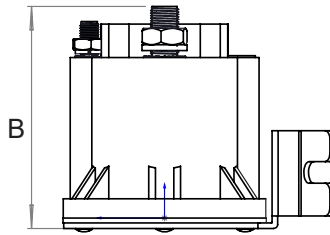
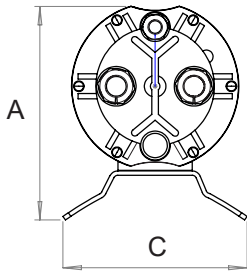
SPECIFICATIONS

Build Code	Model	Voltage	Terminals	Torque (Nm)	Current (Amp)	Speed (rpm)	Power (kw)
E	2450-3	12	2	12/23	211/323	1500/1100	1.8/2.6
E	2450-3	24	2	11/23	183/322	3000/2300	3.6/5.4



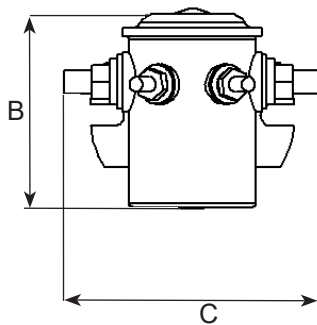
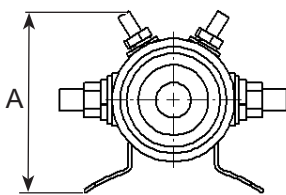
FEATURES

- Available in plastic or steel
- 150 amp continuous rated capacity
- Available with 3 terminals for internally ground models or 4 terminals for externally ground models



SPECIFICATIONS

Build Code	Model	Description	A (mm)	B (mm)	C (mm)
1	391-31	12v, 3 Terminal, Plastic	78.5	66.2	69.1
2	391-32	12v, 4 Terminal, Plastic	78.5	66.2	69.1
3	391-33	24v, 3 Terminal, Plastic	78.5	66.2	69.1
4	391-34	24v, 4 Terminal, Plastic	78.5	66.2	69.1



SPECIFICATIONS

Build Code	Model	Description	A (mm)	B (mm)	C (mm)
5	391-35	12v, 3 Terminal, Steel	59.8	63.3	87.4
6	391-36	12v, 4 Terminal, Steel	59.8	63.3	87.4
7	391-37	24v, 3 Terminal, Steel	59.8	63.3	87.4
8	391-38	24v, 4 Terminal, Steel	59.8	63.3	87.4

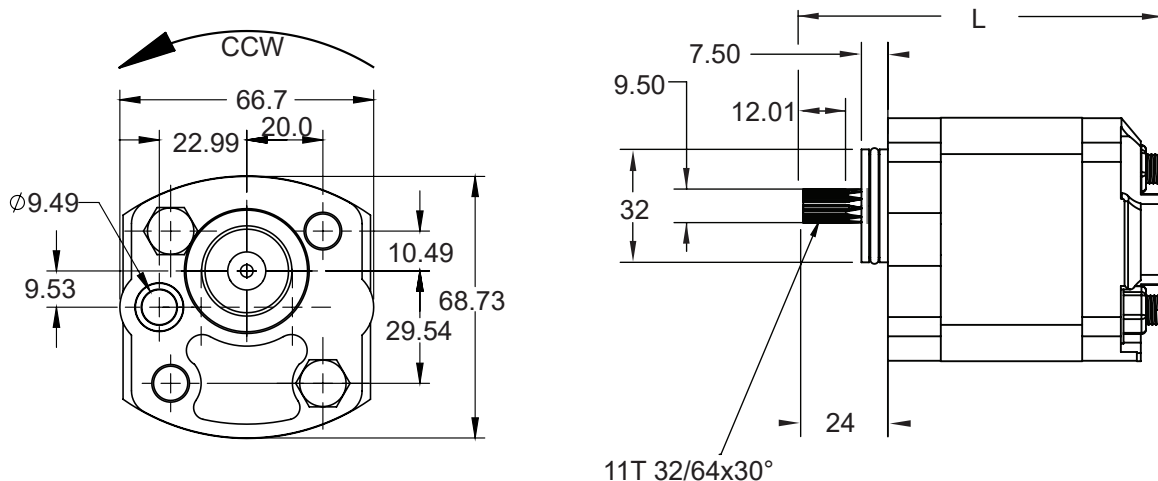
FEATURES

- Latest design utilises an 11 tooth 32/64 spline for higher torque
- Pressure balanced gear pump
- High mechanical and volume efficiency
- Low noise
- Counter clockwise rotation
- Positive T.I.R. (Total Indicator Reading) alignment


SPECIFICATIONS

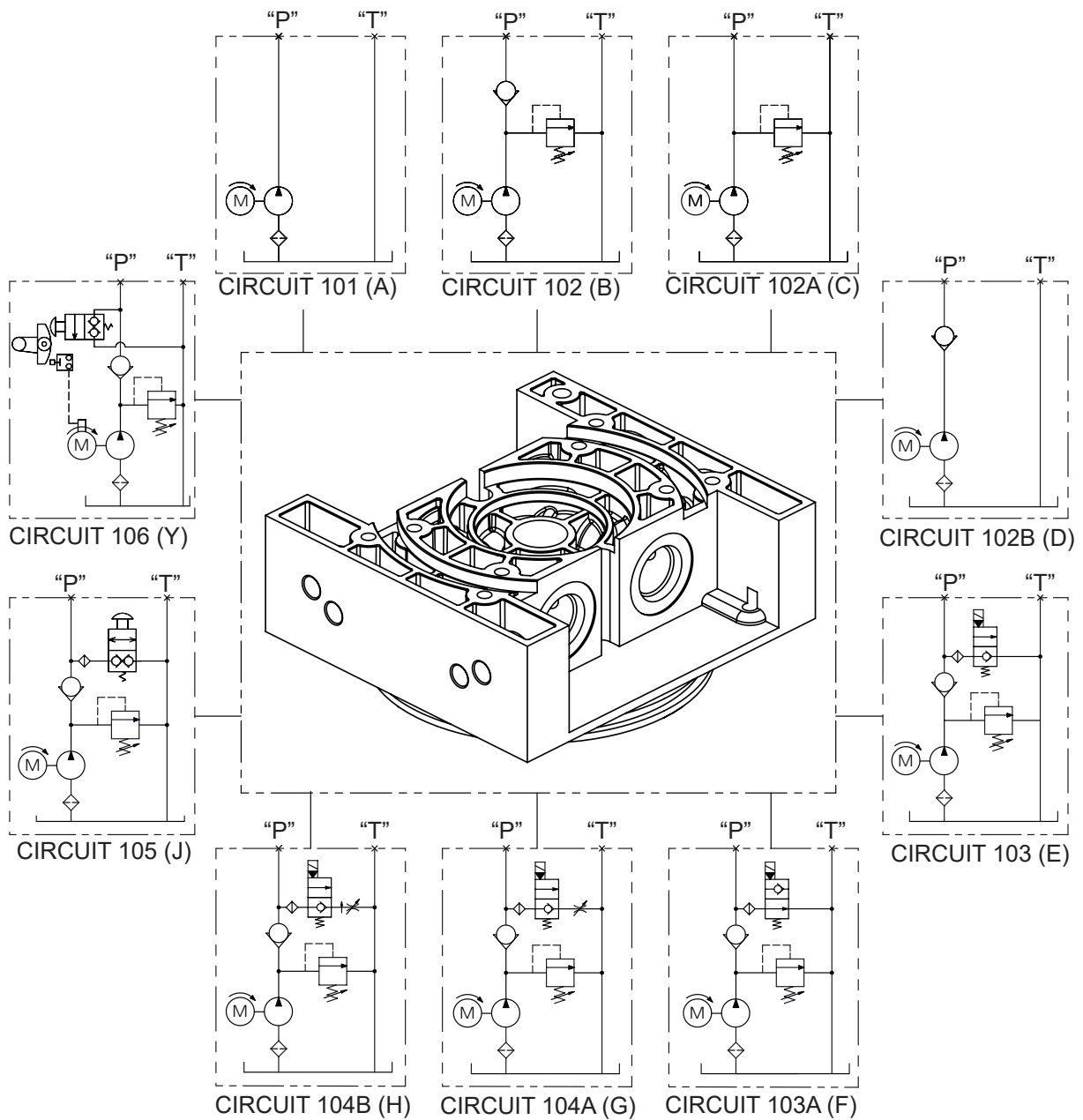
Build Code	Model	Displacement	Pressure		Length (mm)
			Working (Bar/PSI)	Max (Bar/PSI)	
A	PL-0.63-11T-K	0.63 cc	200/2900	280/4000	96.2
B	PL-0.80-11T-K	0.80 cc	200/2900	280/4000	97.4
C	PL-1.20-11T-K	1.20 cc	200/2900	280/4000	98.5
D	PL-1.60-11T-K	1.60 cc	200/2900	280/4000	100.5
E	PL-2.10-11T-K	2.10 cc	200/2900	280/4000	102.1
F	PL-2.50-11T-K	2.50 cc	200/2900	280/4000	104.0
G	PL-2.70-11T-K	2.70 cc	200/2900	280/4000	104.8
H	PL-3.20-11T-K	3.20 cc	200/2900	280/4000	106.1
J*	PL-4.20-ES-11T-K	4.20 cc	180/2610	260/3770	110.9
K*	PL-5.1-ES-11T-K	5.10 cc	138/2000	227/3300	113.9
L*	PL-6.0-ES-11T-K	6.00 cc	138/2000	227/3300	116.9

*Limited to 1440 rpm in vertical mount



UNIVERSAL MANIFOLD 1 (UM1)

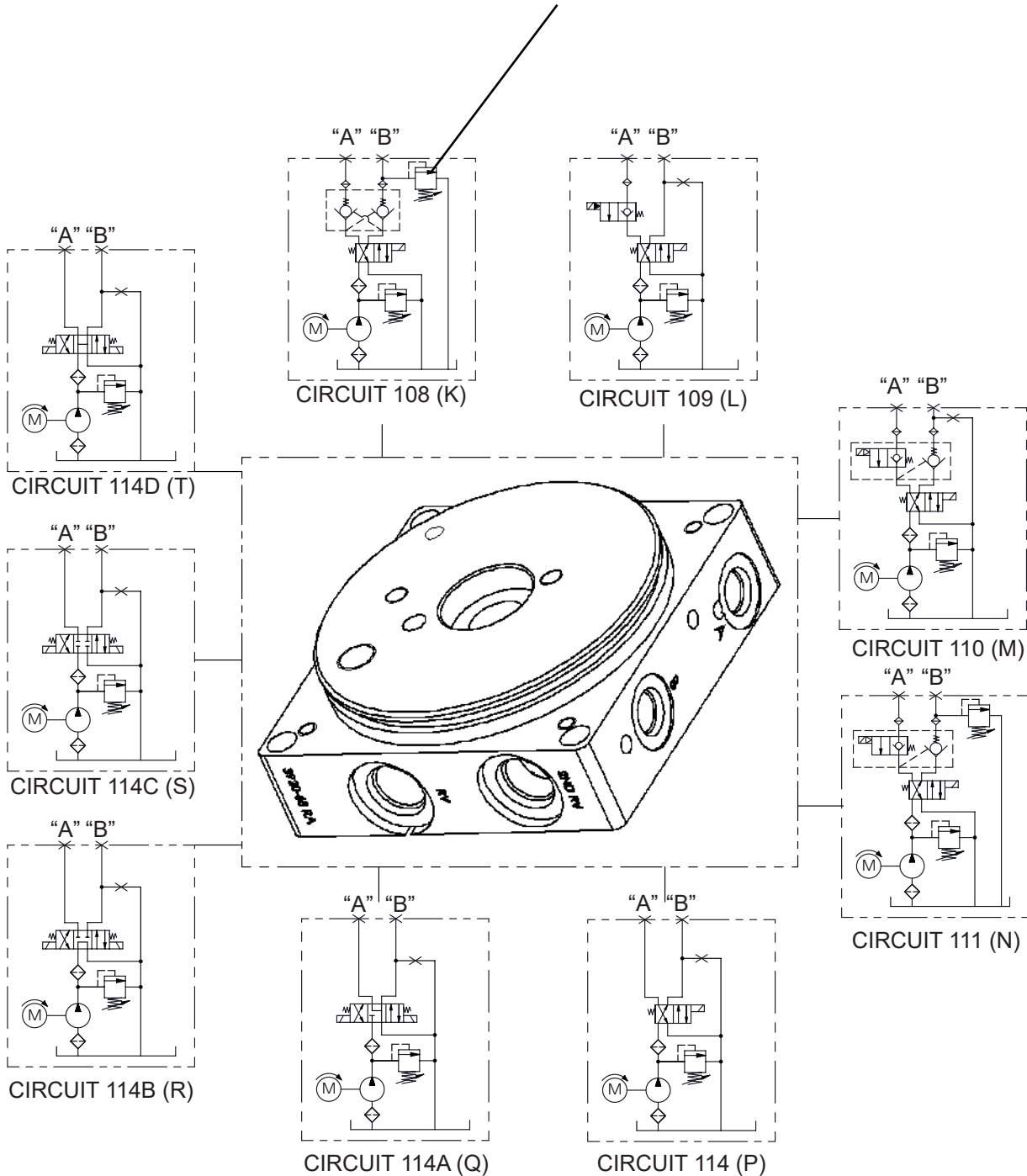
- 10 standard circuits
- Manufactured from lightweight aluminium
- Industry standard C08 cavities
- 3/8 BSPP ports (SAE available on request)



UNIVERSAL MANIFOLD 2 (UM2)

- 9 standard circuits
- Manufactured from lightweight aluminium
- Industry standard C08 cavities
- 9/16 SAE ports

Optional 2nd relief valve available



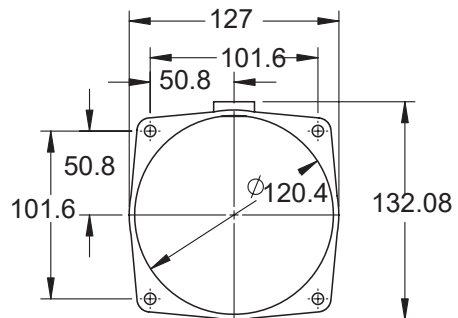
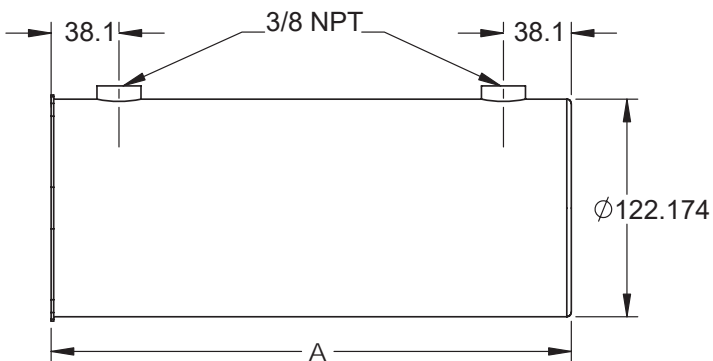
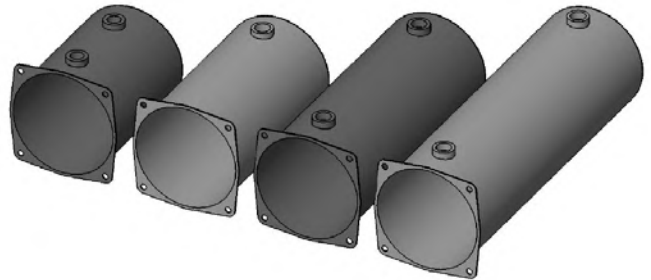


FEATURES

- Manufactured by using a deep drawn steel process
- Usable maximum capacity : 4 litres
- Includes breather with dipstick port plug and mount screws
- Black powder coat finish

SPECIFICATIONS

Build Code	Model	Useable Volume (lt)	A Length (mm)
B	8080-21-K	1.5	159
C	8080-2-K	2	213
D	8080-3-K	3	292
E	8080-4-K	4	378



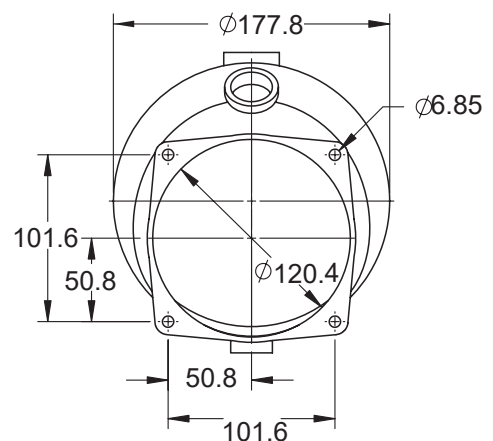
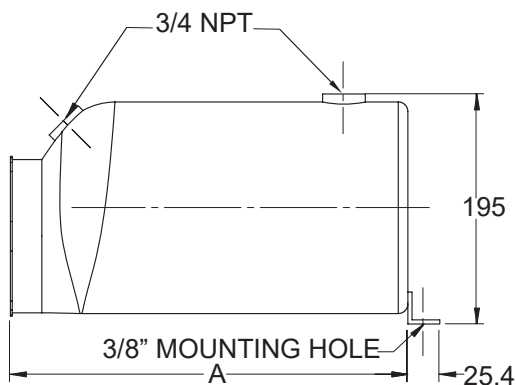
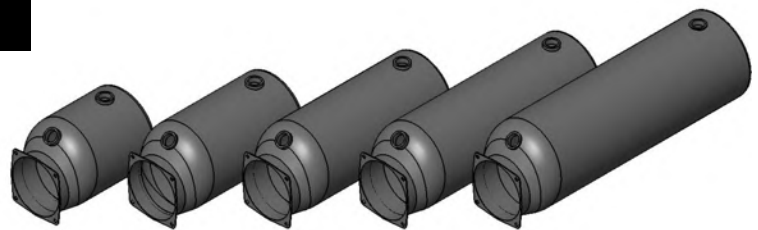


FEATURES

- Offset design
- Usable maximum capacity : 12 litres
- Includes breather with dipstick port plug and mount screws
- Black powder coat inish

SPECIFICATIONS

Build Code	Model	Useable Volume (lt)	A Length (mm)
F	8080-5-K	4	232
G	8080-6-K	6	318
H	8080-8-K	8	403
J	8080-10-K	10	489
K	8080-12-K	12	546



* SHIMMING MAY BE REQUIRED ON MOUNT TABS FOR ALIGNMENT ON INSTALLATION

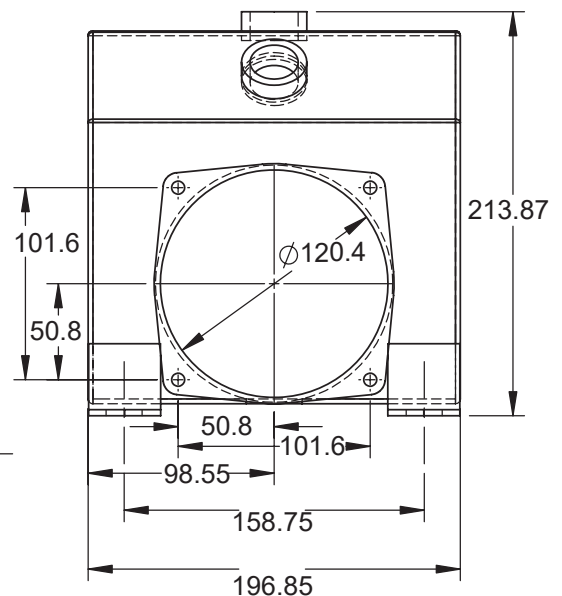
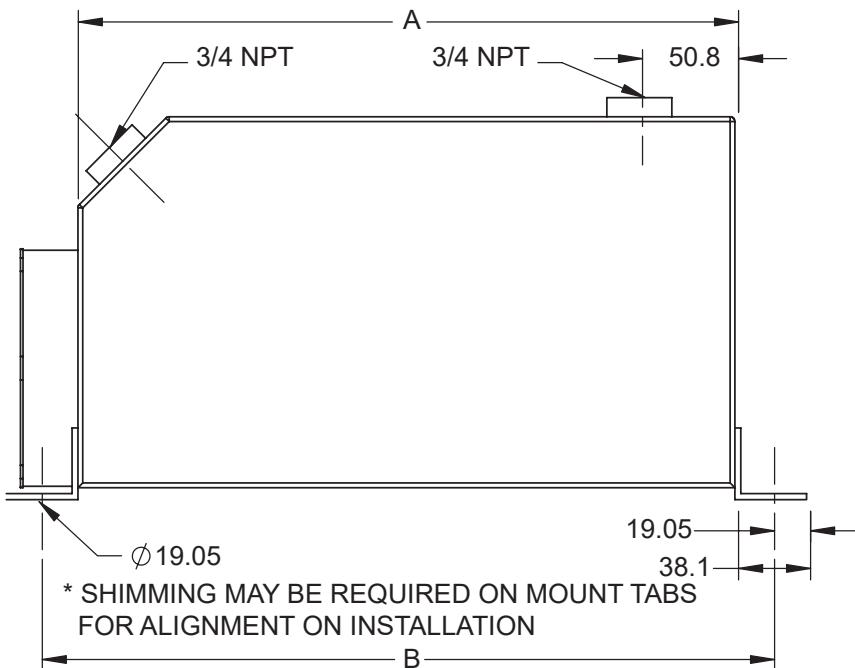
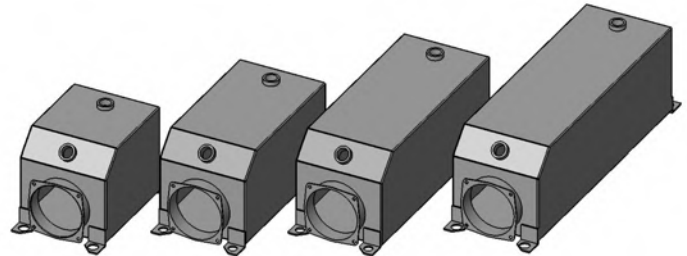


FEATURES

- Usable maximum capacity : 20 litres
- Includes breather with dipstick port plug and mount screws
- Black powder coat finish
- Front and rear mounting tabs on all models

SPECIFICATIONS

Build Code	Model	Useable Volume (lt)	A Length (mm)	B Length (mm)
L	8080-8-12-K	8	235	273
M	8080-12-K	12	349	387
N	8080-16-K	16	470	508
P	8080-20-K	20	581	619





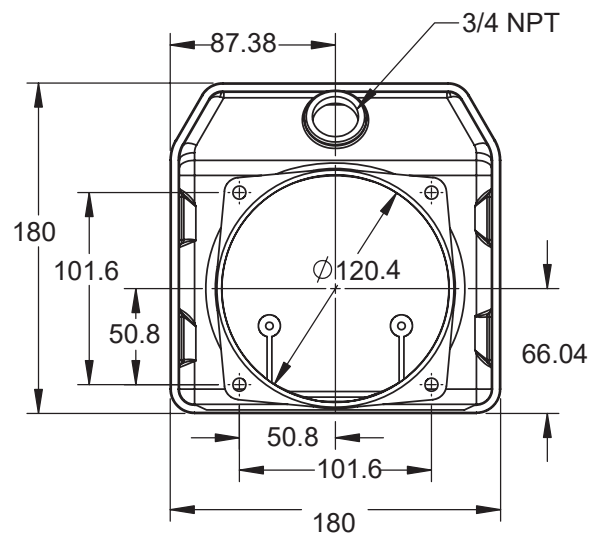
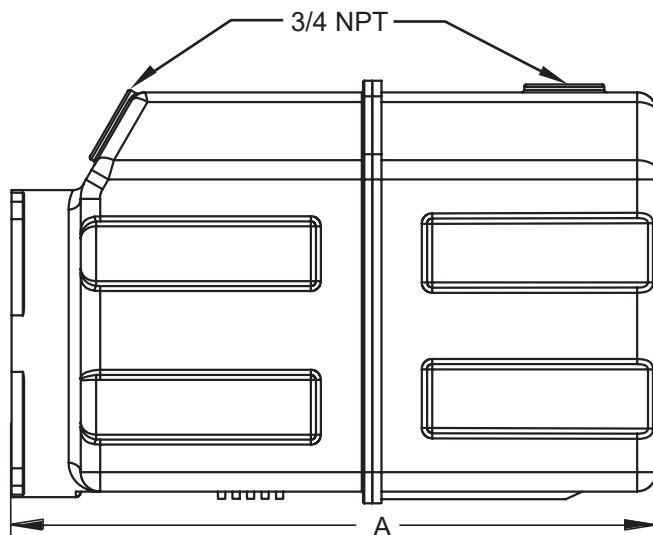
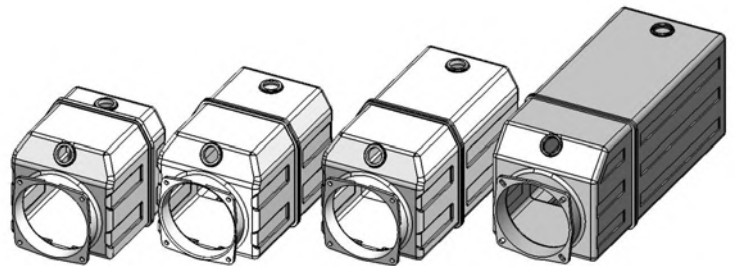
FEATURES

- High impact plastic
- Oil level visible at all times
- Usable maximum capacity : 14 litres
- Includes breather with dipstick port plug and mount screws
- Lightweight
- Rear mounting tabs available on request- 8181-LL-K

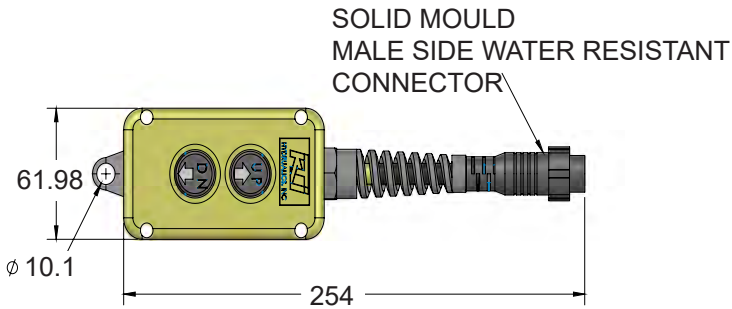
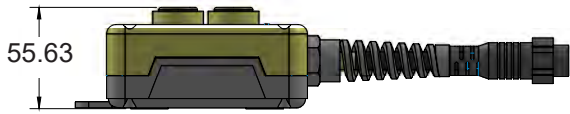
SPECIFICATIONS

Build Code	Model	Useable Volume (lt)	A Length (mm)
Q	8181-35-K	3	203
R	8181-5-K	4	267
S	8181-6-K	6	337
T	8282-8-K	8	440
U	8282-10-K	10	526
V	8181-14-K	14	699

Optional Rear Mounting Tabs
8181-LL Kit c/w screws & washers
(Does not include reservoir)



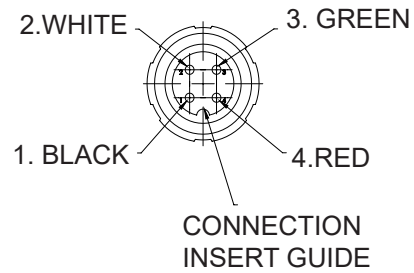
PENDANT SPECIFICATIONS



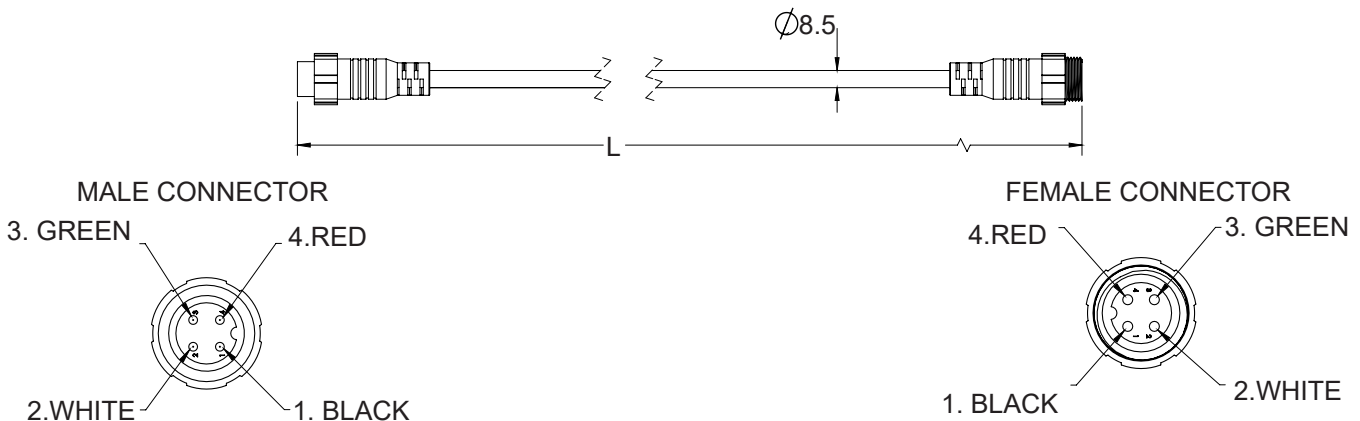
395-55 395-55/ 395-55-L 395-55-L
(reverse side with magnets)

Model	Description
395-55	2 button pendant with solid mould quick connector
395-55-L*	As above with LED battery condition indicator

* Only suitable for single acting units



EXTENSION CABLE

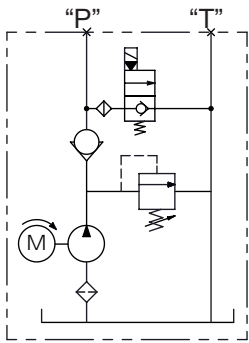


Model	Description	A Length (m)
74-06	Extension cord with one male and one female solid mould connectors.	4.57
74-07	Extension cord with one male and one female solid mould connectors.	7.62

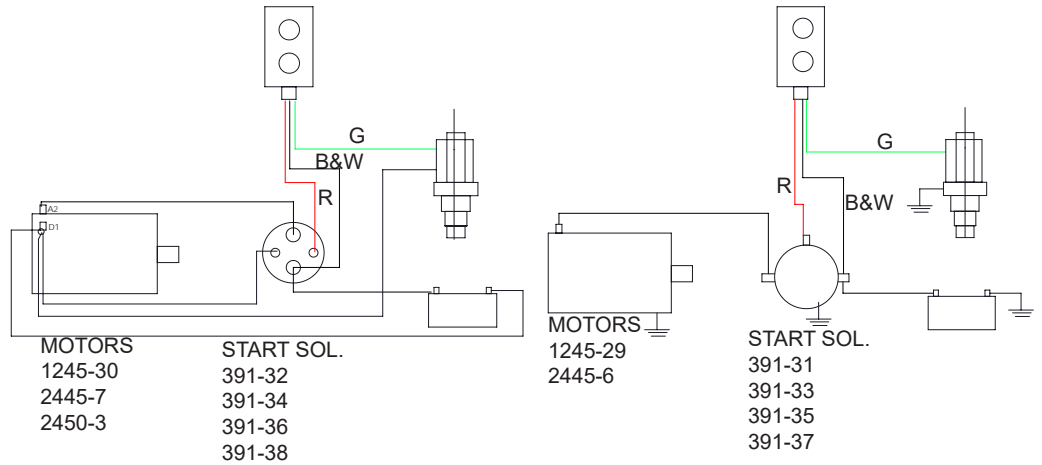


SINGLE ACTING

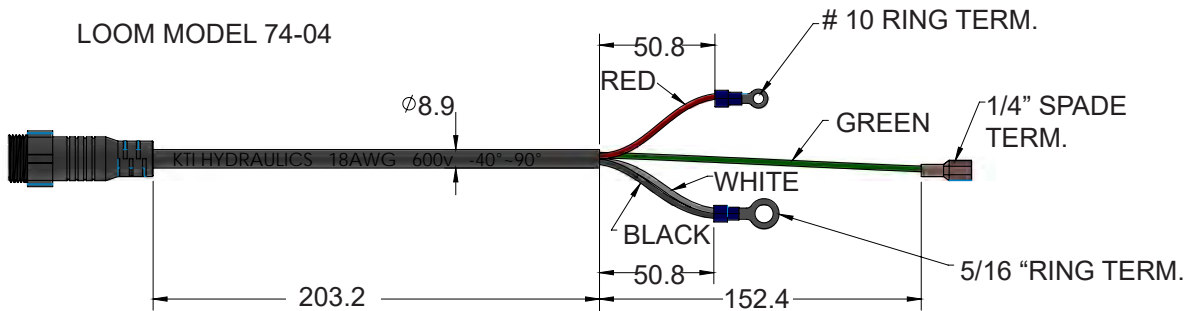
2W2P USING INTEGRAL VALVE



Example circuit

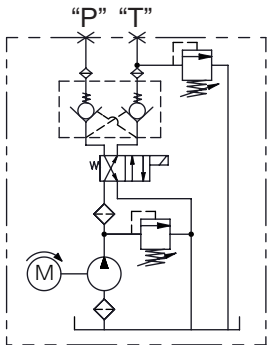


LOOM MODEL 74-04

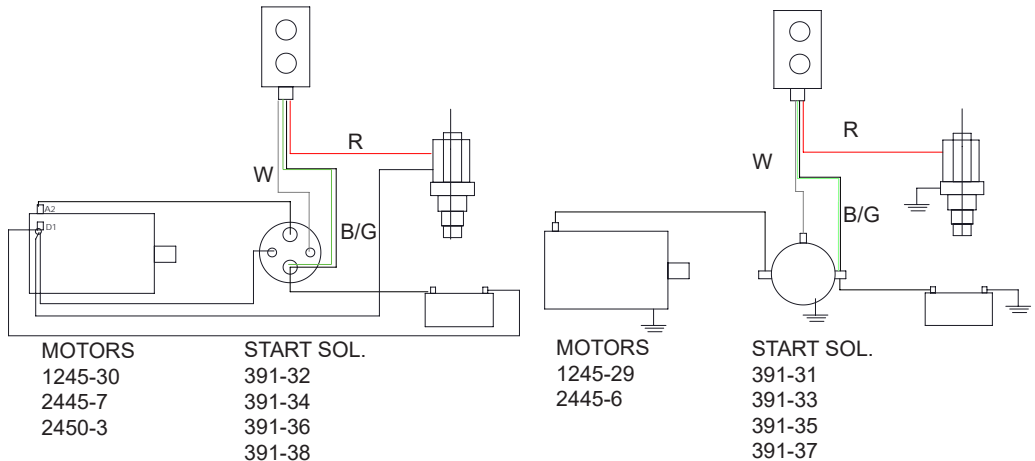


DOUBLE ACTING

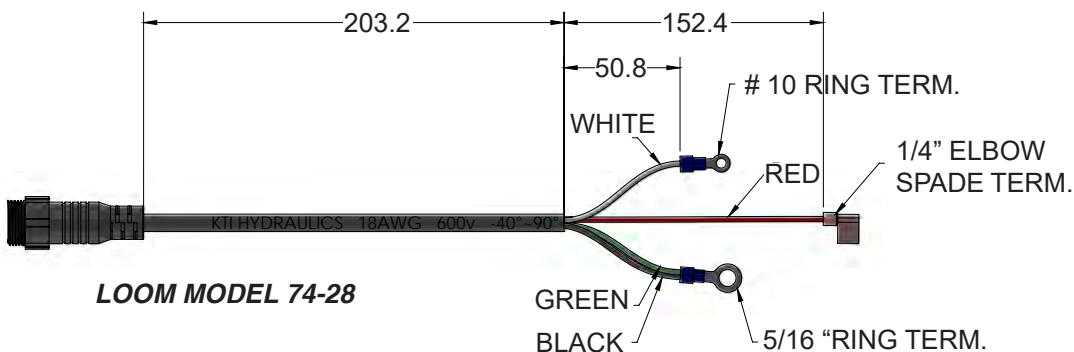
4W2P USING INTEGRAL VALVES



Example circuit

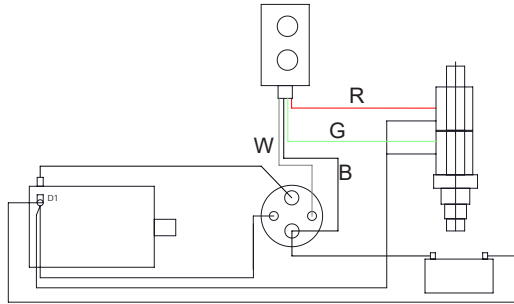
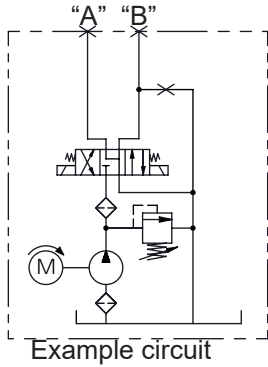


LOOM MODEL 74-28



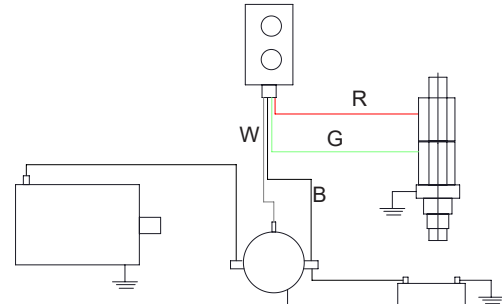
DOUBLE ACTING

4W3P USING INTEGRAL VALVES



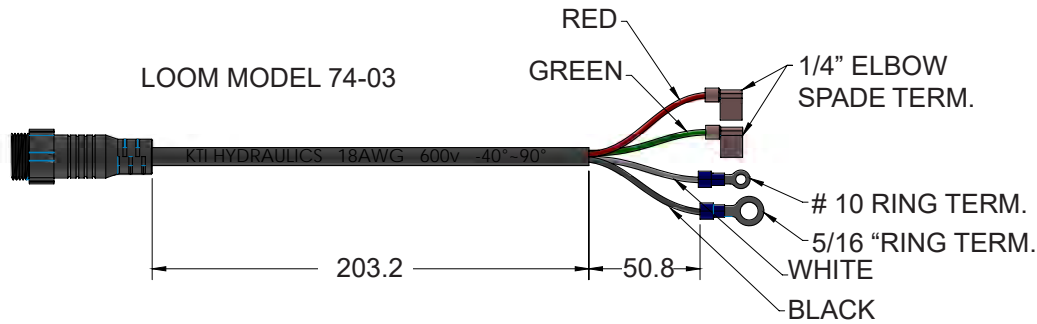
MOTORS
1245-30
2445-7
2450-3

START SOL.
391-32
391-34
391-36
391-38

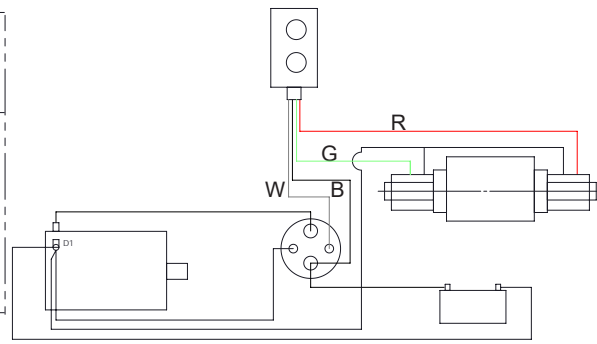
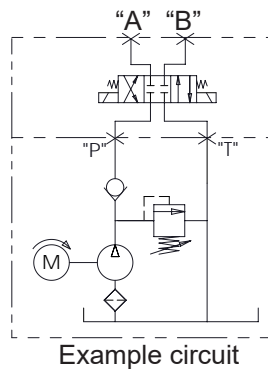


MOTORS
1245-29
2445-6

START SOL.
391-31
391-33
391-35
391-37

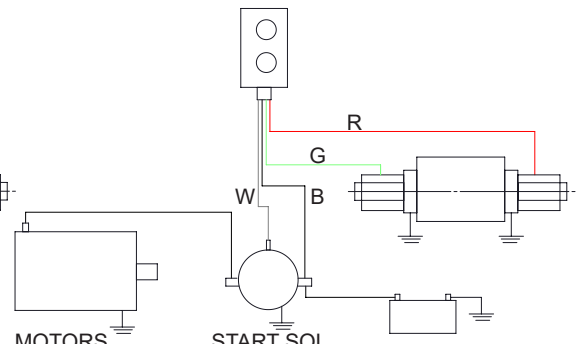


4W3P USING DIRECTIONAL VALVES



MOTORS
1245-30
2445-7
2450-3

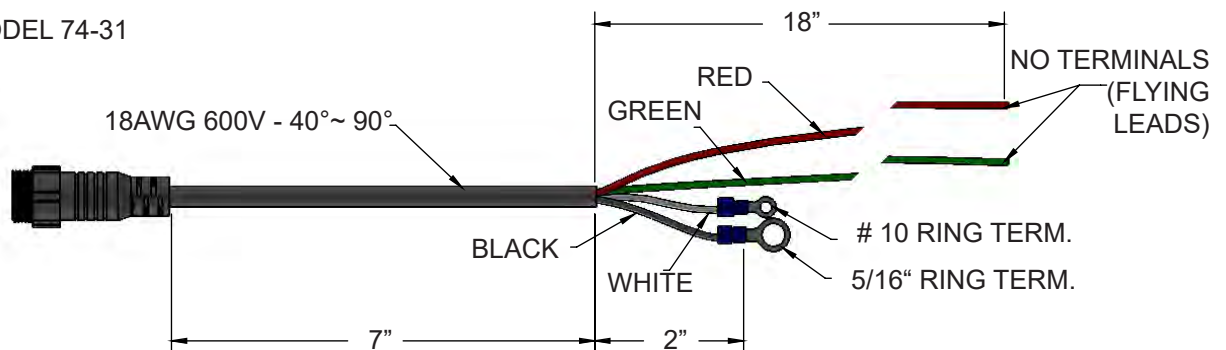
START SOL.
391-32
391-34
391-36
391-38



MOTORS
1245-29
2445-6

START SOL.
391-31
391-33
391-35
391-37

LOOM MODEL 74-31



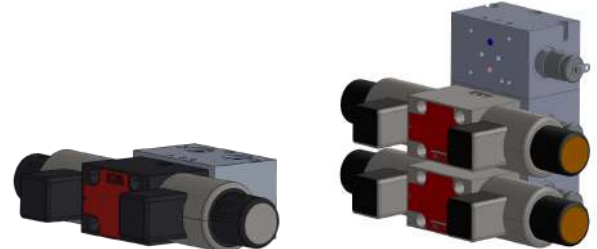
FEATURES

- Manufactured from lightweight aluminium material
- 210 bar working pressure
- Manifold c/w plugged optional gauge port

Contact BOSS Hydraulics for the correct manifold

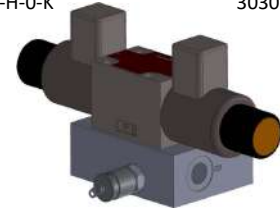
CETOP 3 MANIFOLD

Model	Description
3030-10-H-0-K	Single CETOP 3 manifold - Horizontal mount
3030-10-13-H	Stacking CETOP 3 manifold - Horizontal mount
3030-10-16-H-0-K	Single CETOP 3 manifold - Vertical mount



3030-10-H-0-K

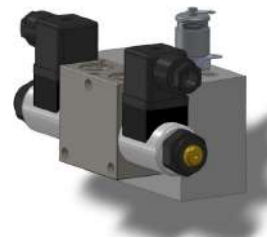
3030-10-13-H



3030-10-16-H-0-K

STACKABLE VALVE MANIFOLD

Model	Description
3030-HDF-0-K	Stackable valve manifold - Horizontal mount
3030-VDF-0-K	Stackable valve manifold - Vertical mount



3030-HDF-0-K



3030-VDF-0-K

RISER BLOCK

Model	Description
3030-10-10	Riser block - increases height of P & T ports by 25.4mm
3030-10-11	Riser block - increases height of P & T ports by 50.8mm



FEATURES OVERVIEW

- *Stackable from 1-7 valves up to 25lpm*
- *Wide variety of CETOP 3 valve options*
- *CETOP 3 sandwich valves including flow and pressure controls*
- *Full range of coil and DIN plugs to suit*
- *Monoblock mobile valves with up to 7 spools*

PRODUCT OVERVIEW

PRODUCT	PAGE NUMBER
<i>Stackable solenoid valves</i>	<i>25</i>
<i>CETOP 3 directional valves</i>	<i>26</i>
<i>CETOP 3 sandwich valves</i>	<i>28</i>
<i>Din plugs and bolt kits</i>	<i>30</i>
<i>Coils</i>	<i>31</i>
<i>Monoblock mobile valves</i>	<i>32</i>

FEATURES

- Manufactured in Europe
- Available with AC or DC coils
- 1-8 valves in a stack
- Use with a 3030-HDF or 3030-VDF to mount on to BOSS hydraulic power unit.
- Can be used a standalone valve stack

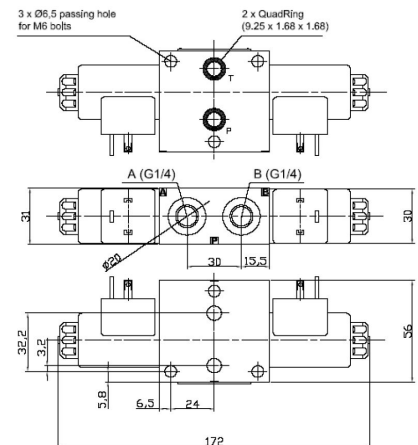


SPECIFICATIONS

Nominal Flow Rate	20 L/min
Max Flow Rate	25 L/min
Max. Nominal Pressure (P,A,B)	250 Bar
Max Rec. Pressure (T)	200 Bar
13mm Coil	

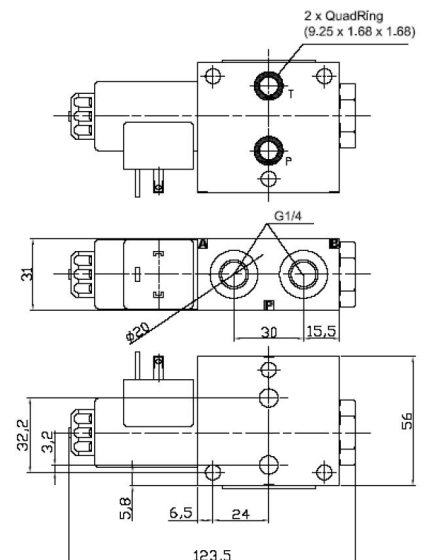
PART NO.	SPOOL & INTERMEDIATE POSITION	VALVE TYPE
RPEK1-03G3H11		4W3P
RPEK1-03G3Z11		4W3P
RPEK1-03G3Y11		4W3P
RPEK1-03G3L11		4W3P

- These RPEK1 models require a closing end plate part number HB03-RPEK-08



PART NO.	SPOOL & INTERMEDIATE POSITION	VALVE TYPE
RPEK1-03G3H11/Z11		4W3P
RPEK1-03G3Z11/Z11		4W3P
RPEK1-03G3Y11/Z11		4W3P
RPEK1-03G3L11/Z11		4W3P

- These RPEK1 models can be used as a stand-alone valve or as the closing valve on a stack - does not require a closing plate



FEATURES

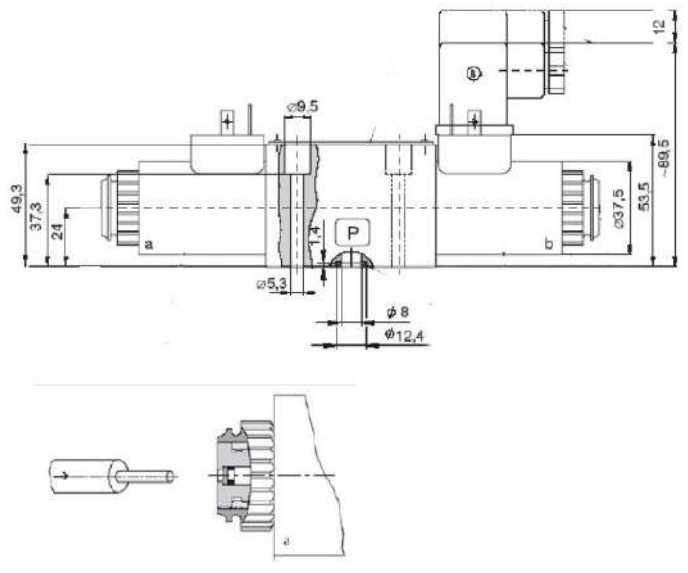
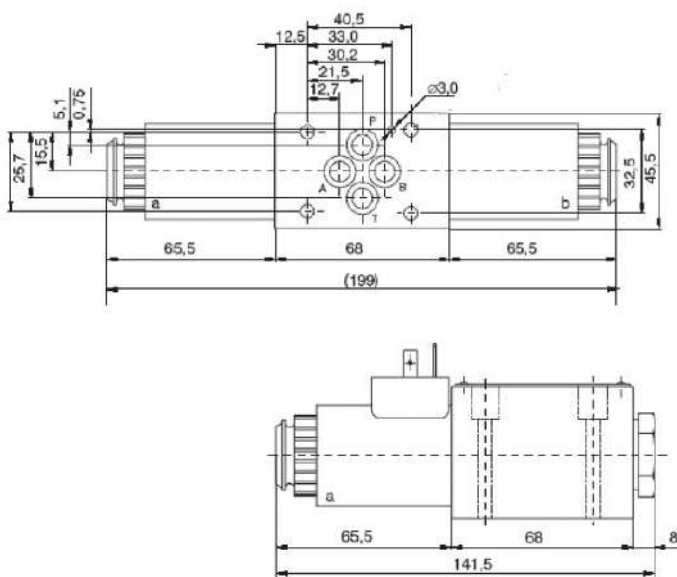
- Manufactured in Europe
- Available with AC or DC coils
- Variety of Sandwich valves also available.
- Valves require a 3030-10-H-0-K or 3030-10-16-H-0-K manifold to mount on BOSS power packs



SPECIFICATIONS

Nominal Flow Rate	50 L/min
Max Flow Rate	60 L/min
Max. Nominal Pressure (P,A,B)	320 Bar
Max Rec. Pressure (T)	210 Bar
19mm Coil Stem	

PART NO.	SPOOL & INTERMEDIATE POSITION	VALVE TYPE
RPEL2-063H11		4W3P
RPEL2-063Z11		4W3P
RPEL2-063Y11		4W3P
RPEL2-063C11		4W3P
RPEL2-062R11		4W2P








FEATURES

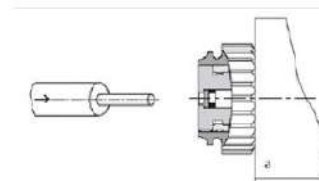
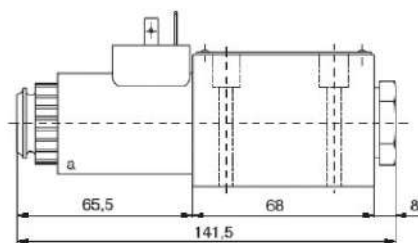
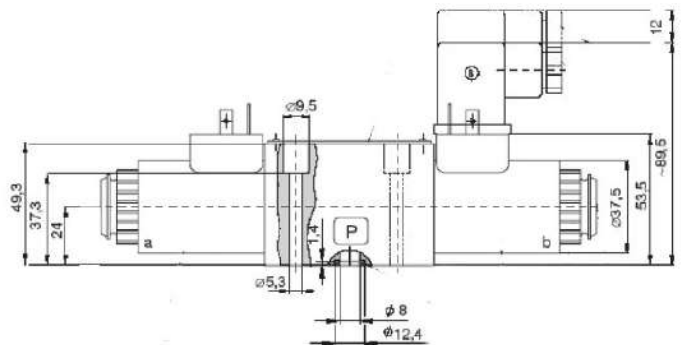
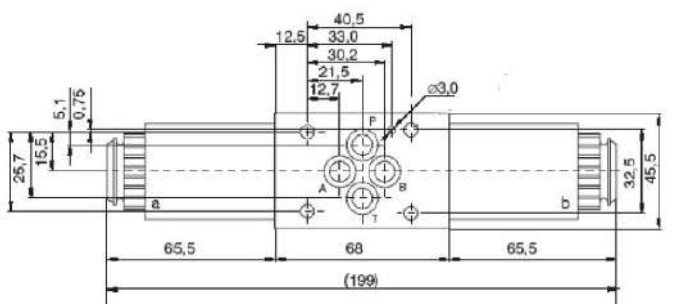
- Manufactured in Europe
- Available with AC or DC coils
- Variety of Sandwich valves also available.
- Valves require a 3030-10-H-0-K or 3030-10-16-H-0-K manifold to mount on BOSS power packs



SPECIFICATIONS

Nominal Flow Rate	50 L/min
Max Flow Rate	80 L/min
Max. Nominal Pressure (P,A,B)	350 Bar
Max Rec. Pressure (T)	210 Bar
22mm Coil Stem	

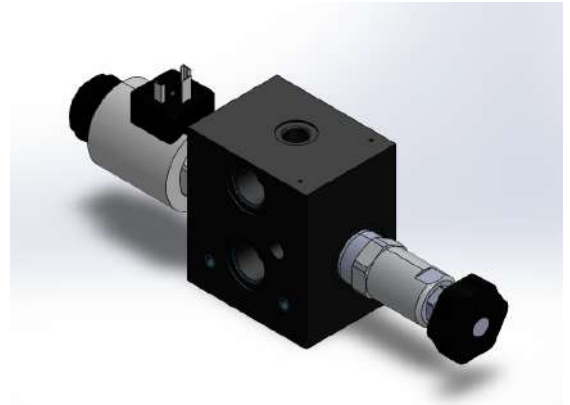
PART NO.	SPOOL & INTERMEDIATE POSITION	VALVE TYPE
RPE3-063H11		4W3P
RPE3-063Z11		4W3P
RPE3-063Y11		4W3P
RPE3-063C11		4W3P
RPE3-062R11		4W2P



STACKABLE VALVES- RPEK1 SERIES

FEATURES

- Pressure Relief in P-Line
- Electric bypass
- Pressure adjustment 100-250 bar
- Normally Open
- Coil for 24 VDC or 12 VDC



SPECIFICATIONS

Part Number	Symbol
HP03-MPT2-KIT	

CETOP3 SANDWICH VALVES-FLOW CONTROL

FEATURES

- Rated to 80 litres max flow
- Maximum nominal pressure of 320 Bar
- 6 complete turns from closed to fully open
- Conforms to ISO & CETOP mounting specifications



SPECIFICATIONS

Part Number	Symbol	MAX. REC. Flow Rate * (L/min)	MAX. REC. Nominal Pressure (Bar)
2VS3-06-C		80	320

* Maximum recommended flow rate on free lines

CETOP3 SANDWICH PILOT OPERATED CHECK VALVES
FEATURES

- Conforms to the ISO & CETOP mounting dimensions
- Free flow standard 2 Bar cracking pressure
- Valve height only 40mm


SPECIFICATIONS

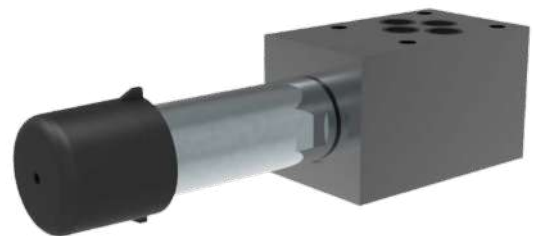
Part Number	Symbol	MAX. REC. Flow Rate (L/min)	MAX. REC. Nominal Pressure (Bar)
2RJV1-06/MC		60	320
2RJV1-06/MA			
2RJV1-06/MB			

A + B = DCV side

A1 + B1 = subplate side

MODULAR PRESSURE REDUCING VALVE- CETOP3 - VRN2 SERIES
FEATURES

- Conforms to the ISO & CETOP mounting dimensions
- Combined pressure reducing & relief function
- Valve height only 45mm


SPECIFICATIONS

Part Number	Symbol	MAX. REC. Flow Rate (L/min)	MAX. REC. Nominal Pressure (Bar)	MAX. Pressure On T (Bar)	Pilot Flow Rate (L/min)
VRN2-06/MP-21S		40	320	160	0.24

* Maximum recommended flow rate on free lines

DIN PLUGS

FEATURES

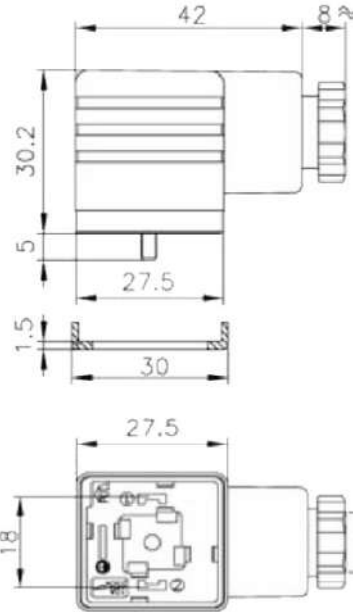
- IP65 Rated
- DIN 43650-A Standard

SPECIFICATIONS

Part Number	Description
936-9905	DIN Plug with PG9 - Black
936-9906	DIN Plug with PG9 - Grey
KA132V57T9	Transparent with LED Indication & Diode Transil (protect overvoltage)
16202300	DIN Plug with Rectifier (use with C14, C19 & C22 Coil)



KA132V57T9



Measurements in mm

HDF BOLT KITS

SPECIFICATIONS

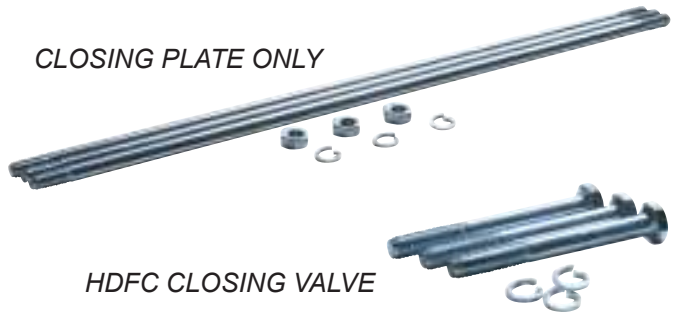
Closing Plate Only

Part Number	Description
29205300	1 Section Bolt Kit
29205600	2 Section Bolt Kit
29206300	3 Section Bolt Kit
29207200	4 Section Bolt Kit

HDFC Closing Valve

Part Number	Description
29204800	1 Section Bolt Kit
29205400	2 Section Bolt Kit
29205900	3 Section Bolt Kit
29207000	4 Section Bolt Kit

CLOSING PLATE ONLY



HDFC CLOSING VALVE

Part Number	Description
29207700	5 Section Bolt Kit
29208100	6 Section Bolt Kit
29208800	7 Section Bolt Kit
29209200	8 Section Bolt Kit

Part Number	Description
29207500	5 Section Bolt Kit
29207900	6 Section Bolt Kit
29208500	7 Section Bolt Kit
29208900	8 Section Bolt Kit

FEATURES

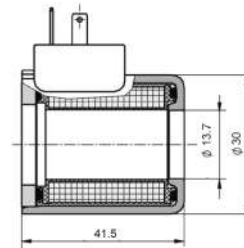
- Duty cycle ED 100%
- Class F type coils (IEC 85 standard)
- Zinc coating (ISO 9227 - 240h salt spray)
- DIN 43650-A Standard



SPECIFICATIONS

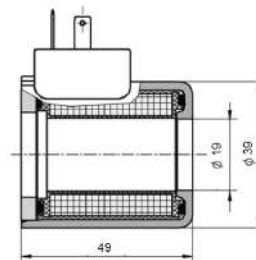
To suit RPEK1 Series - 14mm

Part Number	Description
C14B-01200E1-6.55NA	12VDC Coil - DIN Connector
C14B-02400E1-26.2NA	24VDC Coil - DIN Connector
C14B-20500E1-24.76NA	230/240VAC Coil - DIN Connector (KA132R13B9 Plug required to convert from 230/240VAC to 205VDC)



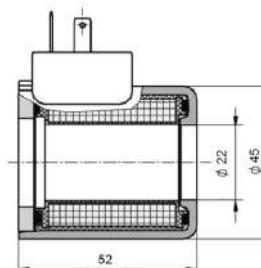
To suit RPEL2-06 Series - 19mm

Part Number	Description
C19B-01200E1-4.9NA	12VDC Coil - DIN Connector
C19B-02450E5-16NA	24VAC Coil - DIN Connector
C19B-02400E1-20.8NA	24VDC Coil - DIN Connector
C19B-11550E5-433NA	115VAC Coil - DIN Connector
C19B-23050E5-1653NA	230VAC Coil - DIN Connector



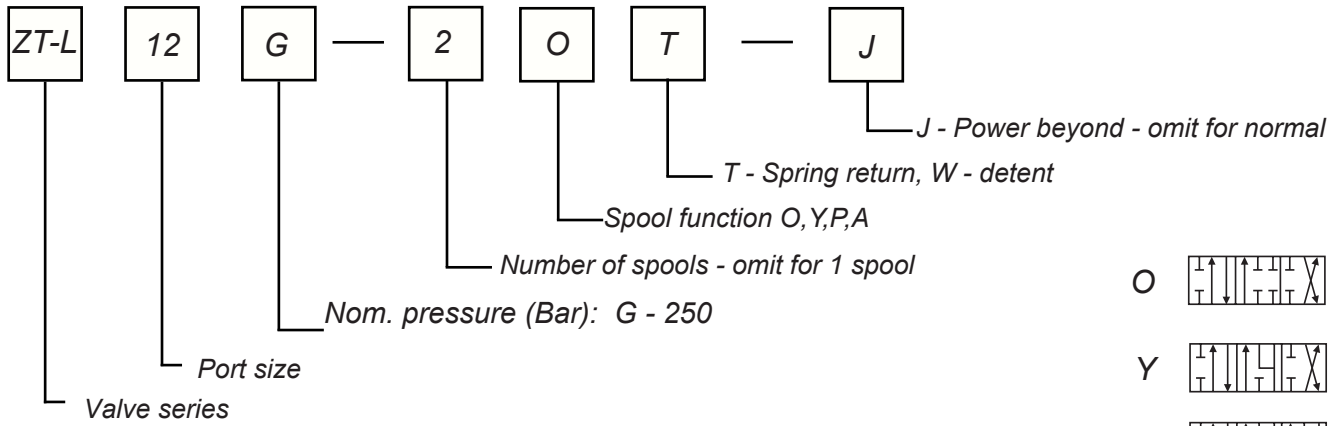
To suit RPE3-06 Series - 22mm

Part Number	Description
C22B-01200E1-4.41NA	12VDC Coil - DIN Connector
C22B-02400E1-18.6NA	24VDC Coil - DIN Connector



Measurements in mm

MODEL CODE



FEATURES AND BENEFITS

- Internal check valve prevents return of oil
- Adjustable internal relief valve
- "Power Beyond" circuit capabilities
- Up to 7 spools available

SPECIFICATIONS

Model	Spool Function	No. Spools	Port Size BSPP	B Side Operator	Weight (kg)
ZT-L12G-OT	"O" Spool (Cylinder Spool) (All Ports Blocked)	1	1/2"	Spring Return	4.1
ZT-L12G-2OT		2			6.1
ZT-L12G-3OT		3			8.1
ZT-L12G-4OT		4			10.2
ZT-L12G-5OT		5			12
ZT-L12G-6OT		6			14.1

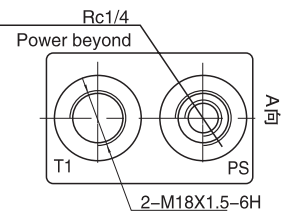
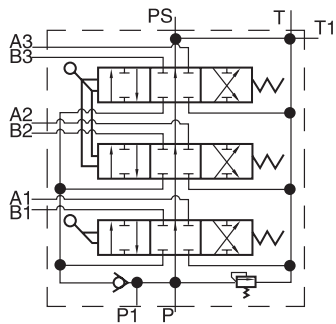
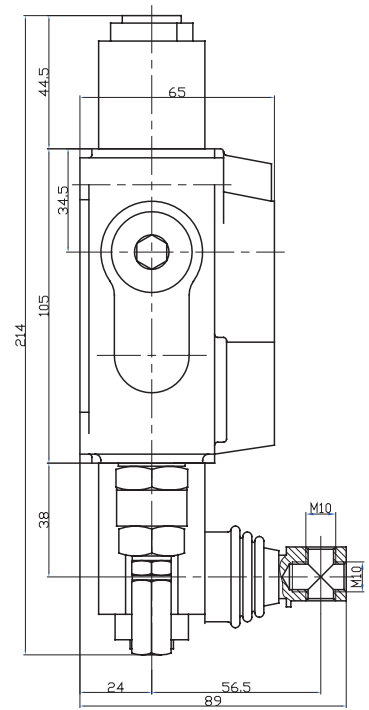
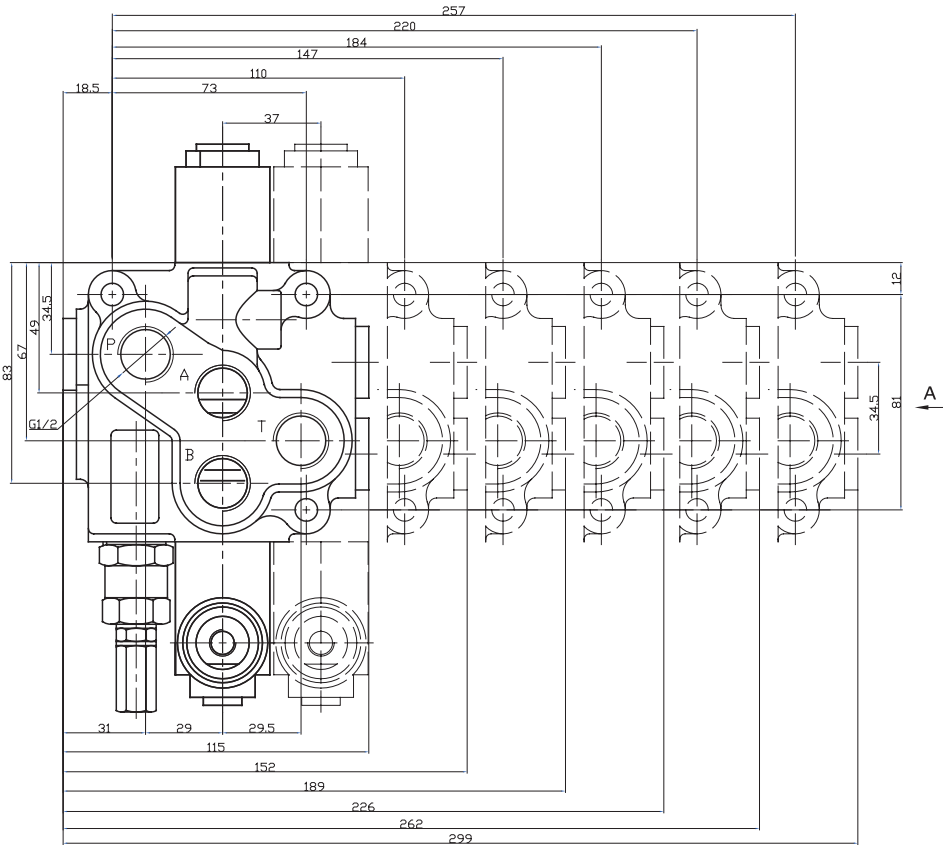
Options available to order:

- Detent kits
- Y motor spools



SPECIFICATIONS

Nominal Pressure (Bar)	Max Pressure (Bar)	Nominal Flow (lpm)	Allowable Back Pressure (MPa)	Temp Range (°C)	Hydraulic Oil	
					Viscosity Range (mm ² /s)	Filtrating Accuracy (µm)
160	315	50	<1	-20 to 80	10 to 400	<10



FEATURES OVERVIEW

- . *Dual ported UN-Oring threads - This great innovation provides you with 2 ports at the rod end and 2 ports at the rear clevis end of the cylinder. No more stocking both A & B ported cylinders*
- . *Hard Chrome Plated Piston Rod - AISI K1045 material.*
- . *CDSM Honed Barrel.*
- . *Rod gland manufactured from ASTM A536 ductile iron*
- . *Steel 2 piece piston - O-ring seal to rod gives no leak situation.*
- . *Rod end clevis - Cast iron. Rear clevis mount - Cast steel.*
- . *Cylinders supplied with port sealing plugs & shipped in plastic bag - this prevents dirt ingress during transportation & storage.*
- . *All cylinders are 100% pre-pressure tested. Providing the customer full confidence in purchase.*
- . *Genuine Hallite Brand Seals - Available Australia wide*
 - *5 Piece type piston seal*
 - *Hallite twin lip rod seal*
 - *Hallite type 520 (poly) rod wiper*
 - *Tube & piston ID o-rings made from nitrile rubber*



PRODUCT OVERVIEW

PRODUCT	PAGE NUMBER
<i>Agricultural Cylinder 1.5" Bore</i>	36
<i>Agricultural Cylinder 2" Bore</i>	37
<i>Agricultural Cylinder 2.5" Bore</i>	38
<i>Agricultural Cylinder 3" Bore</i>	39
<i>Agricultural Cylinder 3.5" Bore</i>	40
<i>Agricultural Cylinder 4" Bore</i>	41
<i>Cylinder Pins and Seal Kits</i>	42
<i>Counter Balance Valves</i>	43

BORE SIZE - 1.5 INCH (38.1MM)

Max Working Pressure 3000 PSI (210 Bar)



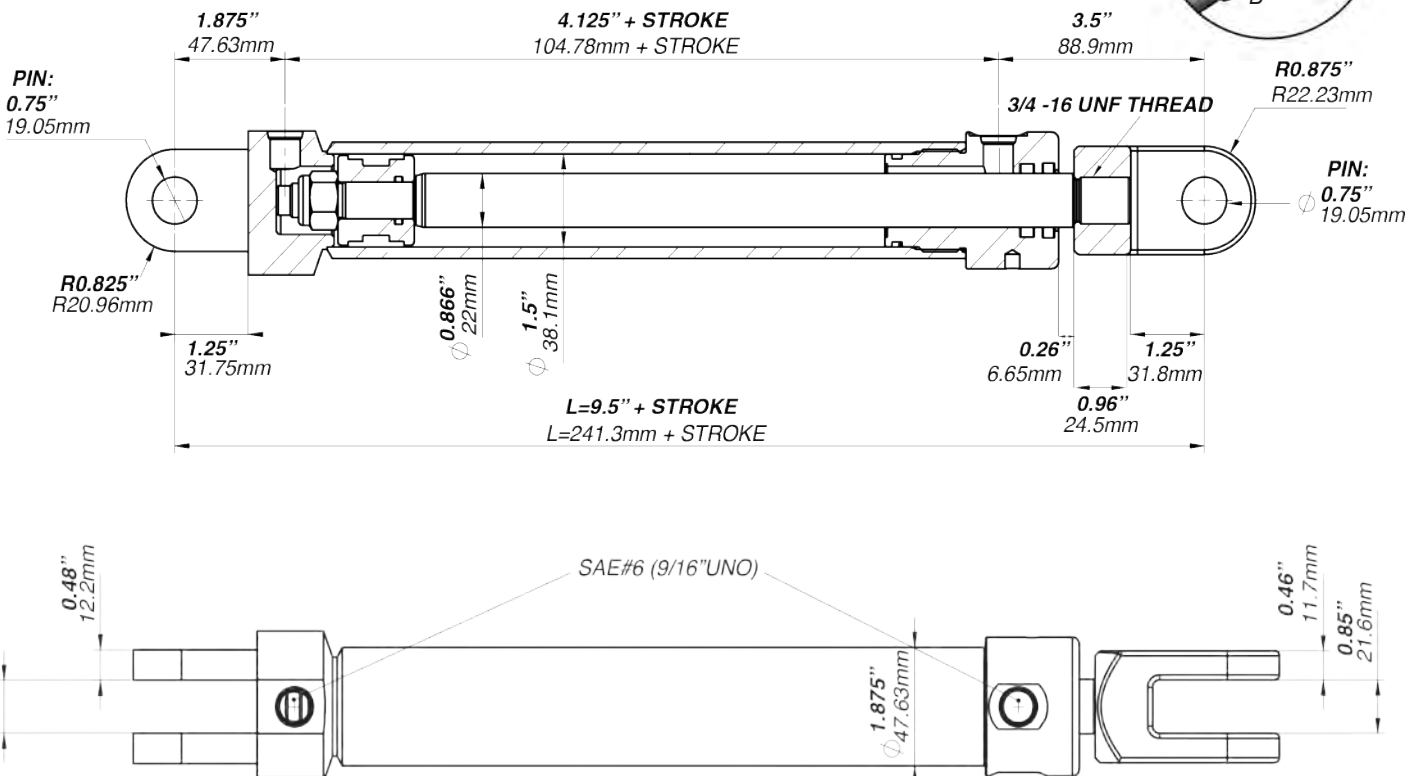
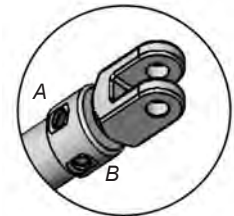
SPECIFICATIONS

Part No.	Stroke		Pin to Pin "Closed" (L)		Pin to Pin "Extended"		Rod		Rod Thread	Pin		Ports (in)	Volume (Litres)		Weight (kg)
	(in)	(mm)	(in)	(mm)	(in)	(mm)	(in)	(mm)		(in)	(mm)		Push	Pull	
AG1502AB	2	50.8	11.5	292.1	13.5	342.9							0.06	0.04	3.5
AG1504AB	4	101.6	13.5	342.9	17.5	444.5							0.12	0.08	4
AG1506AB	6	152.4	15.5	393.7	21.5	546.1							0.17	0.12	4.5
AG1508AB	8	203.2	17.5	444.5	25.5	647.7							0.23	0.15	5
AG1512AB	12	304.8	21.5	546.1	33.5	850.9							0.35	0.23	6
AG1516AB	16	406.4	25.5	647.7	41.5	1054.1	0.875 (2%)	22.2	3/4-16 UNF	0.75 (3/4)	19.05	SAE#6 (9/16 UNO)	0.46	0.31	7
AG1518AB	18	457.2	27.5	698.5	45.5	1155.7							0.52	0.34	7.5
AG1520AB	20	508	29.5	749.3	49.5	1257.3							0.58	0.38	8
AG1524AB	24	609.6	33.5	850.9	57.5	1460.5							0.69	0.46	9

Larger stroke sizes available on request

DIMENSIONAL DRAWINGS

Standard A & B Ports (Both ends)



BORE SIZE - 2 INCH (50.8MM)

Max Working Pressure 3000 PSI (210 Bar)

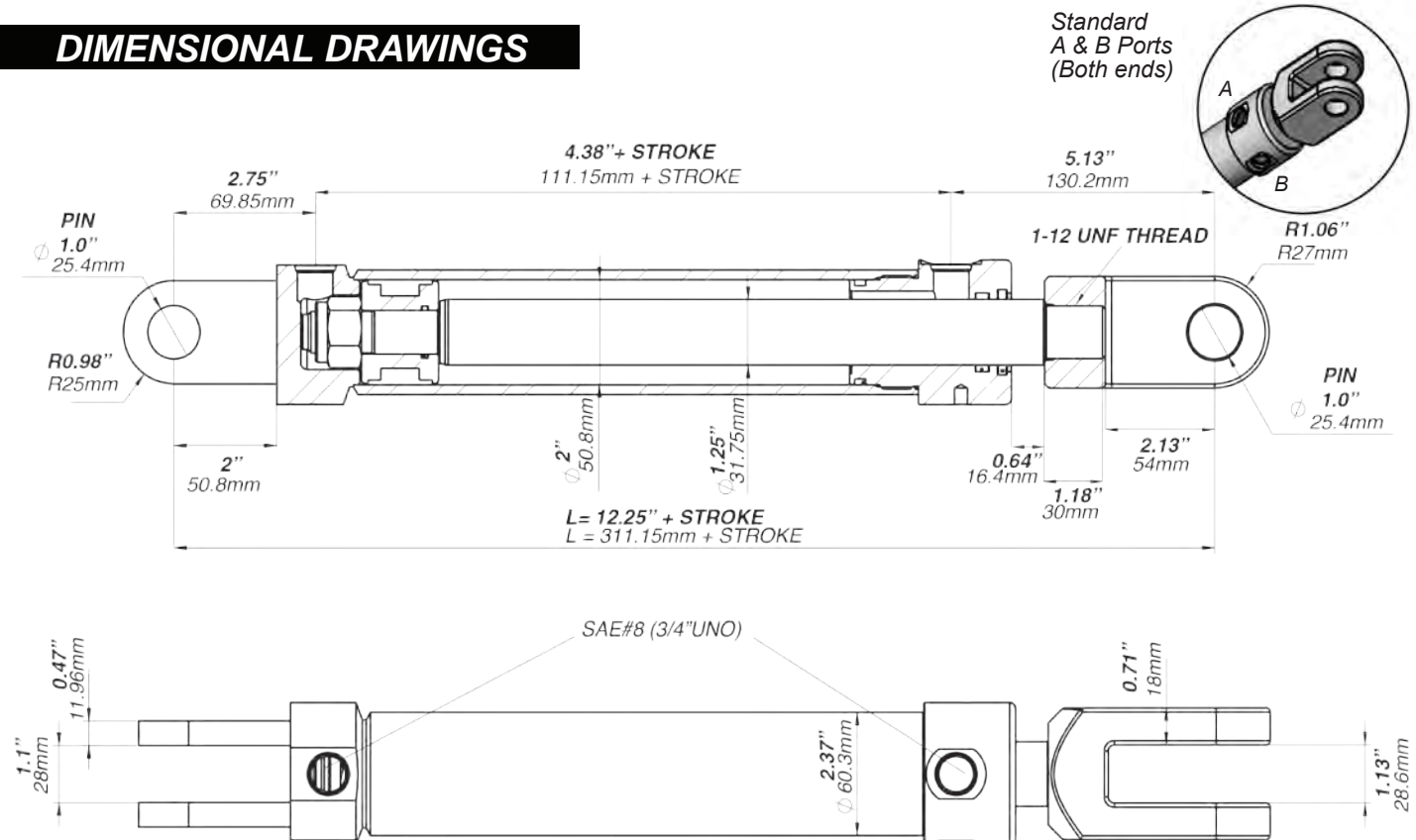


SPECIFICATIONS

Part No.	Stroke		Pin to Pin "Closed" (L)		Pin to Pin "Extended"		Rod		Rod Thread	Pin		Ports (in)	Volume (Litres)		Weight (kg)
	(in)	(mm)	(in)	(mm)	(in)	(mm)	(in)	(mm)		(in)	(mm)		Push	Pull	
AG2002AB	2	50.8	14.25	362.0	16.25	412.8	1.25 (1/4)	31.75	1-12 UNF	1	25.4	3/4 UNO	0.10	0.06	7.5
AG2004AB	4	101.6	16.25	412.8	20.25	514.4							0.21	0.13	8
AG2006AB	6	152.4	18.25	463.6	24.25	616.0							0.31	0.19	9
AG2008AB	8	203.2	20.25	514.4	28.25	717.6							0.41	0.25	10
AG2010AB	10	254	22.25	565.2	32.25	819.2							0.51	0.31	10.5
AG2012AB	12	304.8	24.25	616.0	36.25	920.8							0.62	0.38	11.5
AG2018AB	18	457.2	30.25	768.4	48.25	1225.6							0.93	0.56	14
AG2020AB	20	508	32.25	819.2	52.25	1327.2							1.03	0.63	14.5
AG2024AB	24	609.6	36.25	920.8	60.25	1530.4							1.24	0.75	16

Larger stroke sizes available on request

DIMENSIONAL DRAWINGS



BORE SIZE - 2.5 INCH (63.5MM)

Max Working Pressure 3000 PSI (210 Bar)



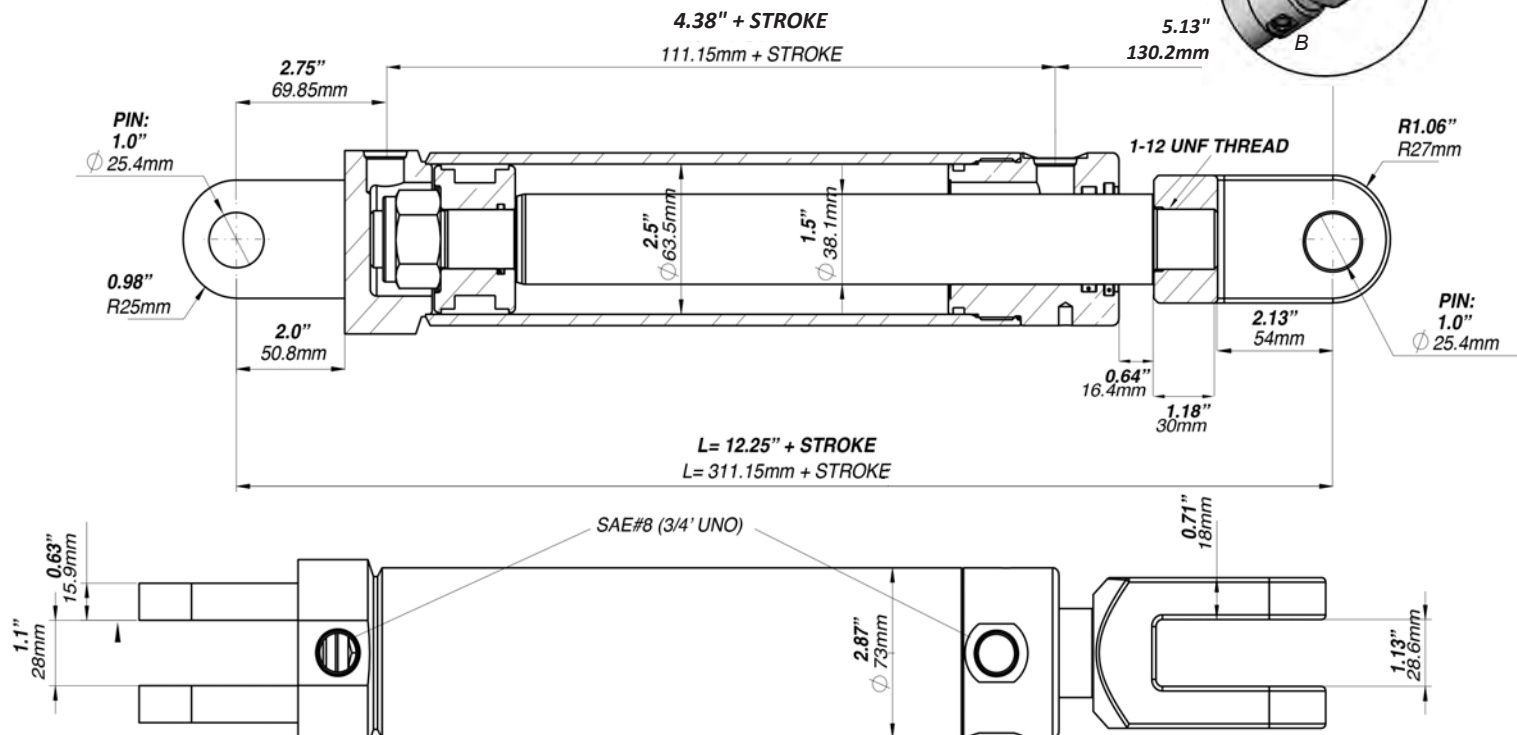
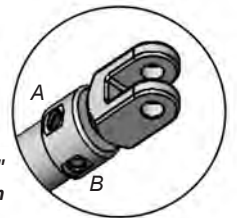
SPECIFICATIONS

Part No.	Stroke		Pin to Pin "Closed" (L)		Pin to Pin "Extended"		Rod		Rod Thread	Pin		Ports (in)	Volume (Litres)		Weight (kg)
	(in)	(mm)	(in)	(mm)	(in)	(mm)	(in)	(mm)		(in)	(mm)		Push	Pull	
AG2504AB	4	101.6	16.25	412.8	20.25	514.4	1.5 (1½)	38.1	1-12 UNF	1	25.4	3/4 UNO	0.32	0.20	9
AG2506AB	6	152.4	18.25	463.6	24.25	616.0							0.48	0.31	10
AG2508AB	8	203.2	20.25	514.4	28.25	717.6							0.64	0.41	11
AG2510AB	10	254	22.25	565.2	32.25	819.2							0.80	0.51	12
AG2512AB	12	304.8	24.25	616.0	36.25	920.8							0.97	0.62	13
AG2514AB	14	355.6	26.25	666.8	40.25	1022.4							1.12	0.72	14
AG2516AB	16	406.4	28.25	717.6	44.25	1124.0							1.29	0.82	15
AG2518AB	18	457.2	30.25	768.4	48.25	1225.6							1.48	0.93	15
AG2520AB	20	508	32.25	819.2	52.25	1327.2							1.61	1.03	16
AG2522AB	22	558.8	34.25	870.0	56.25	1428.8							1.77	1.13	17
AG2524AB	24	609.6	36.25	920.8	60.25	1530.4							1.93	1.24	18

Larger stroke sizes available on request

DIMENSIONAL DRAWINGS

Standard
A & B Ports
(Both ends)



BORE SIZE - 3 INCH (76.2MM)

Max Working Pressure 3000 PSI (210 Bar)



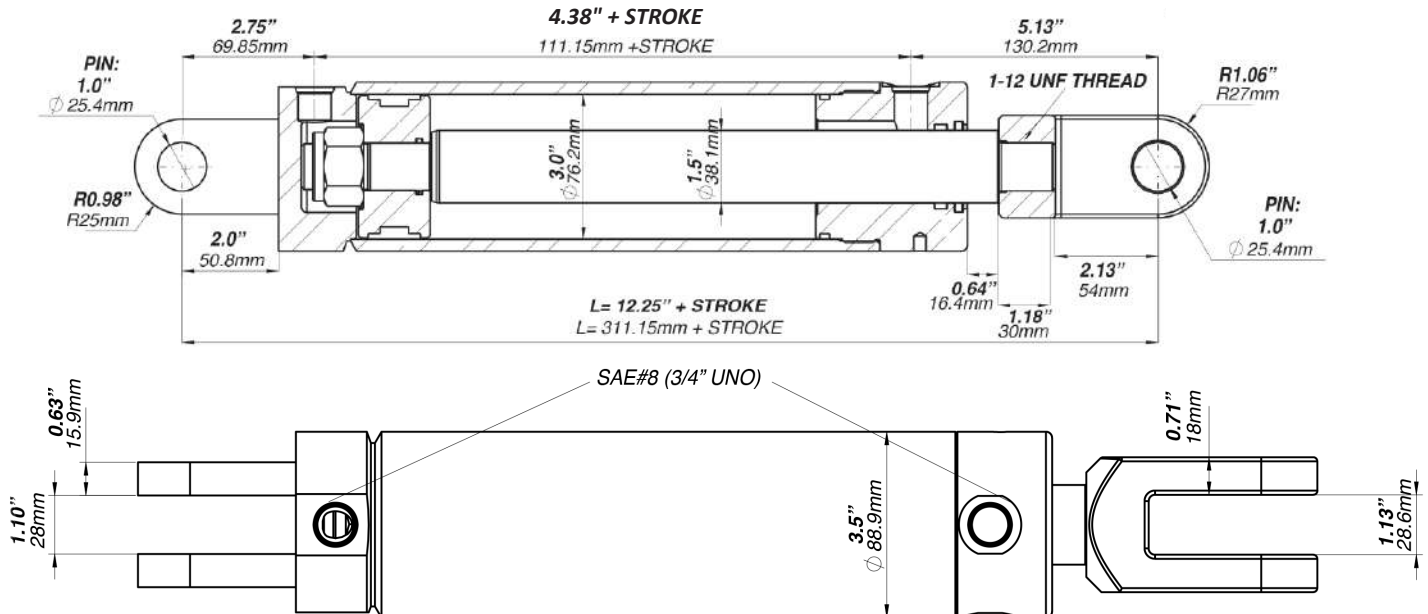
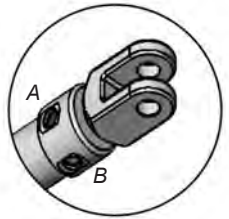
SPECIFICATIONS

Part No.	Stroke		Pin to Pin "Closed" (L)		Pin to Pin "Extended"		Rod		Rod Thread	Pin		Ports (in)	Volume (Litres)		Weight (kg)
	(in)	(mm)	(in)	(mm)	(in)	(mm)	(in)	(mm)		(in)	(mm)		Push	Pull	
AG3006AB	6	152.4	18.25	463.6	24.25	616.0	1.5 (1½)	38.1	1-12 UNF	1	25.4	3/4 UNO	0.69	0.52	13
AG3008AB	8	203.2	20.25	514.4	28.25	717.6							0.93	0.70	14
AG3010AB	10	254	22.25	565.2	32.25	819.2							1.16	0.87	15
AG3012AB	12	304.8	24.25	616.0	36.25	920.8							1.39	1.04	17
AG3016AB	16	406.4	28.25	717.6	44.25	1124.0							1.85	1.39	19
AG3018AB	18	457.2	30.25	768.4	48.25	1225.6							2.08	1.56	20
AG3020AB	20	508	32.25	819.2	52.25	1327.2							2.32	1.74	21
AG3024AB	24	609.6	36.25	920.8	60.25	1530.4							2.78	2.08	23

Larger stroke sizes available on request

DIMENSIONAL DRAWINGS

Standard
A & B Ports
(Both ends)



BORE SIZE - 3.5 INCH (88.9MM)

Max Working Pressure 3000 PSI (210 Bar)

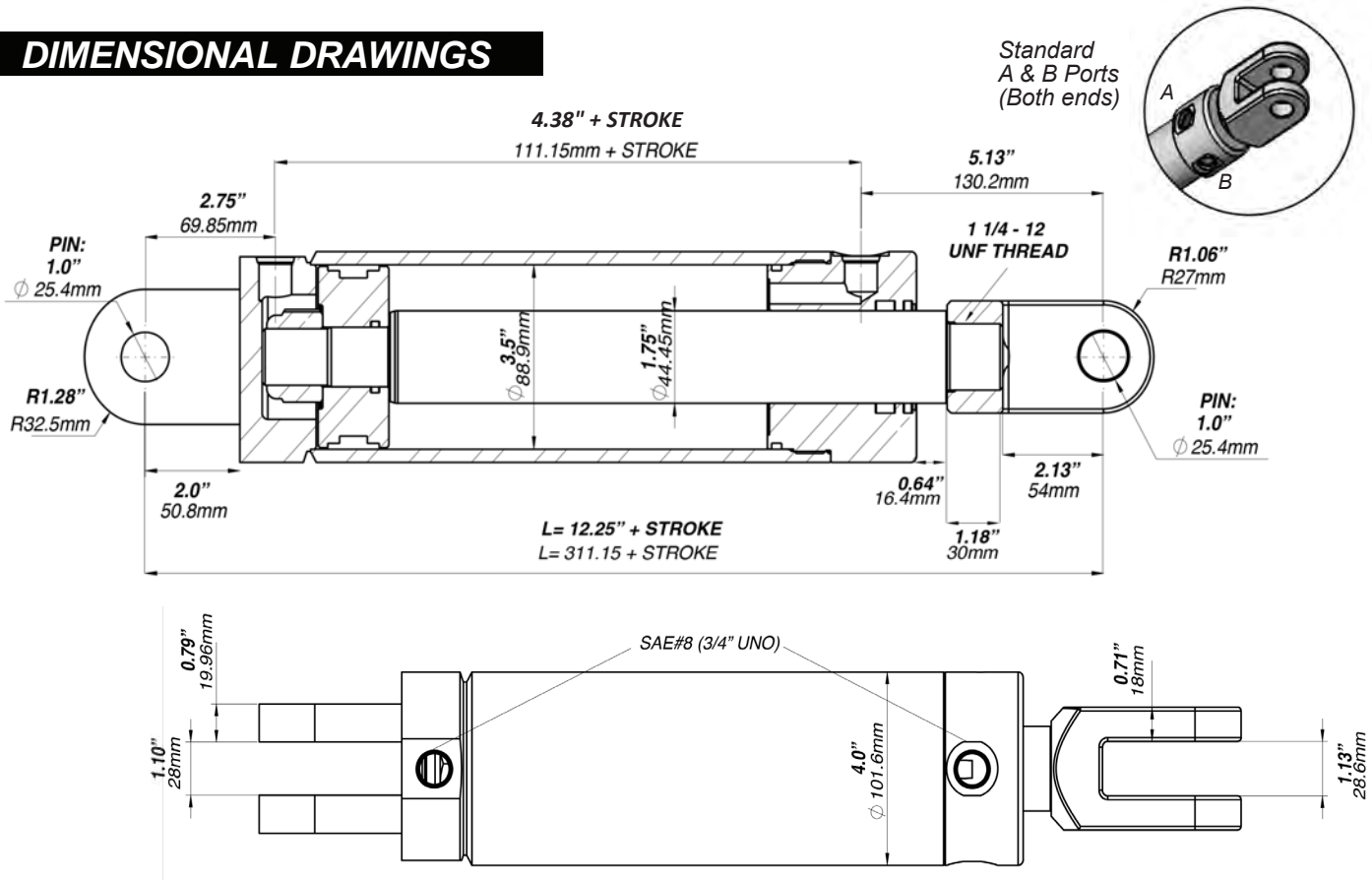


SPECIFICATIONS

Part No.	Stroke		Pin to Pin "Closed" (L)		Pin to Pin "Extended"		Rod		Rod Thread	Pin (in)		Ports (in)	Volume (Litres)		Weight (kg)
	(in)	(mm)	(in)	(mm)	(in)	(mm)	(in)	(mm)		(in)	(mm)		Push	Pull	
AG3506AB	6	152.4	18.25	463.6	24.25	616.0	1.75 (1 3/4)	44.45	1 1/4 -12 UNF	1	25.4	3/4 UNO	0.95	0.71	22
AG3508AB	8	203.2	20.25	514.4	28.25	717.6							1.26	0.95	23
AG3510AB	10	254	22.25	565.2	32.25	819.2							1.58	1.18	25
AG3512AB	12	304.8	24.25	616.0	36.25	920.8							1.89	1.42	26
AG3516AB	16	406.4	28.25	717.6	44.25	1124.0							2.52	1.89	29
AG3518AB	18	457.2	30.25	768.4	48.25	1225.6							2.84	2.13	30
AG3520AB	20	508	32.25	819.2	52.25	1327.2							3.15	2.36	32
AG3524AB	24	609.6	36.25	920.8	60.25	1530.4							3.78	2.84	34

Larger stroke sizes available on request

DIMENSIONAL DRAWINGS



BORE SIZE - 4 INCH (101.6MM)

Max Working Pressure 3000 PSI (210 Bar)



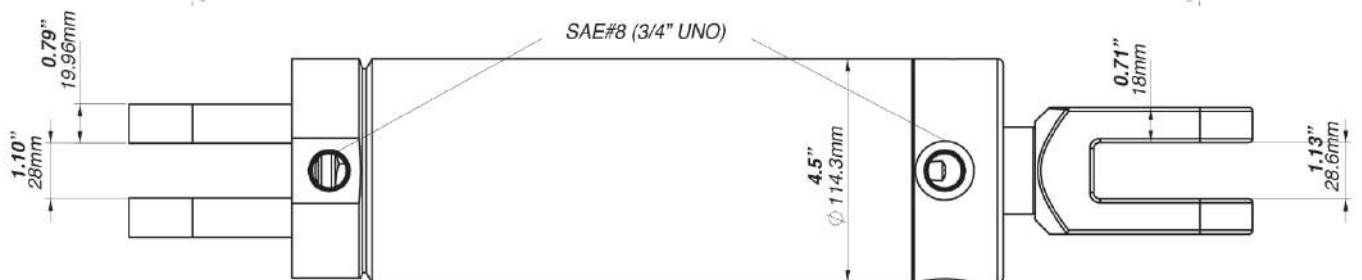
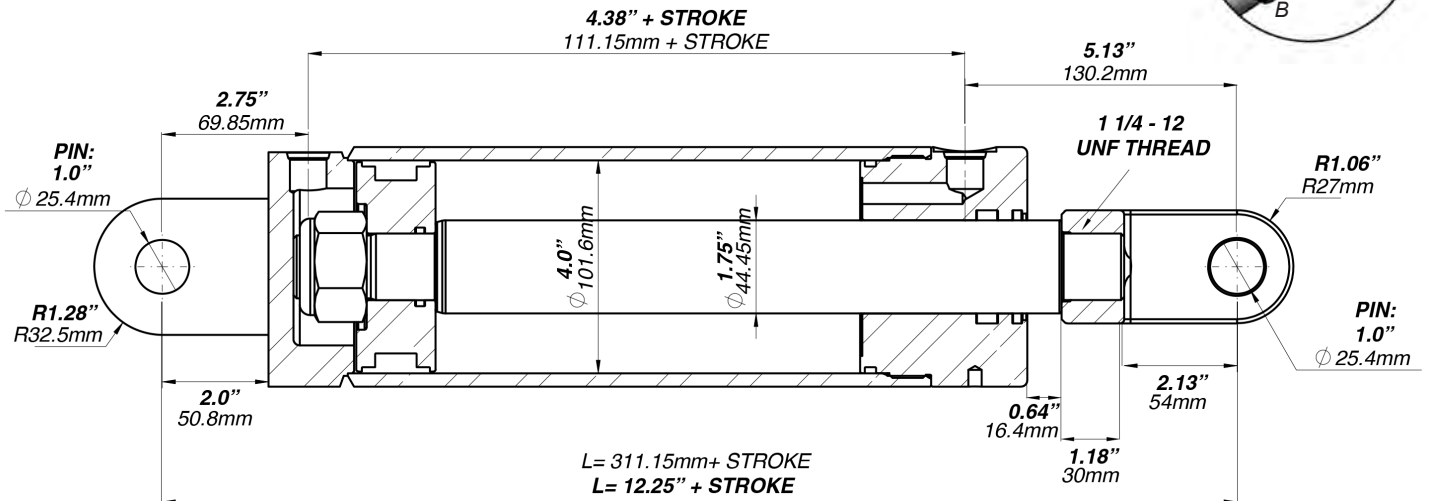
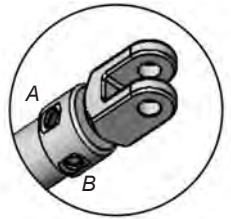
SPECIFICATIONS

Part No.	Stroke		Pin to Pin "Closed" (L)		Pin to Pin "Extended"		Rod		Rod Thread	Pin		Ports (in)	Volume (Litres)		Weight (kg)
	(in)	(mm)	(in)	(mm)	(in)	(mm)	(in)	(mm)		(in)	(mm)		Push	Pull	
AG4008AB	8	203.2	20.25	514.4	28.25	717.6							1.65	1.33	23
AG4012AB	12	304.8	24.25	616.0	36.25	920.8							2.47	2.00	26
AG4016AB	16	406.4	28.25	717.6	44.25	1124.0							3.29	2.66	29
AG4020AB	20	508	32.25	819.2	52.25	1327.2	1.75	44.45	1 1/4 - 12 UNF	1	25.4	3/4 UNO	4.12	3.33	32
AG4024AB	24	609.6	36.25	920.8	60.25	1530.4							4.94	4.00	35

Larger stroke sizes available on request

DIMENSIONAL DRAWINGS

Standard A & B Ports (Both ends)



SEAL KITS

Part No.	Bore Size (in)	Rod Size (in)
BSK-15087	1.5	0.875
BSK-20125	2	1.25
BSK-2515	2.5	1.5
BSK-3015	3	1.5
BSK-35175	3.5	1.75
BSK-40175	4	1.75
BSK-5020	5	2.00

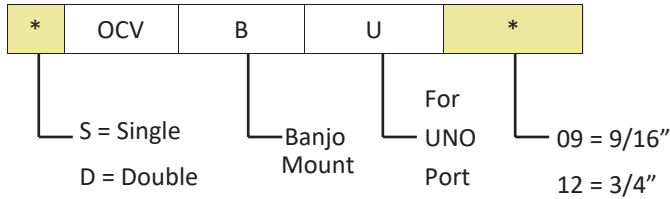
**CYLINDER PINS**

Each kit contains 1 x pins and 2 x clips

Part No.	Pin Size (in)	Suits Bore (in)
B-PIN0.75	0.75	1.5
B-PIN1.0	1	2, 2.5, 3, 3.5, 4, 5



ORDERING CODE



Model	Description
SOCVBU-12	Single Counter balance valve
DOCVBU-12	Double Counter balance valve

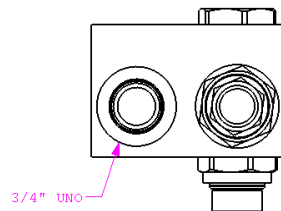
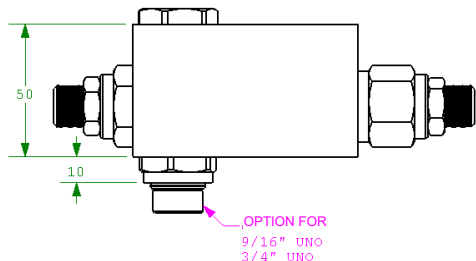
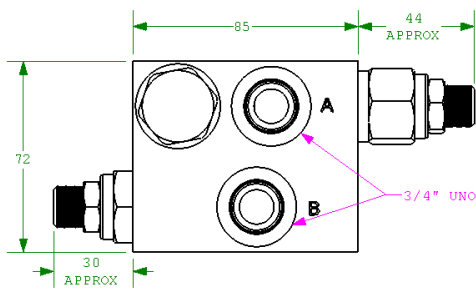
Included Parts

- Counter Balance Valves
- Banjo Bolts (set)

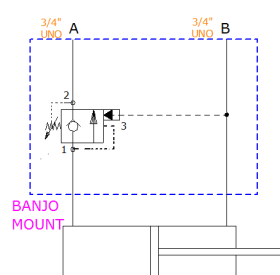
FEATURES AND BENEFITS

- Banjo mount directly on the cylinder
- Material - alloy - 6061
- Surface treatment - zinc plated
- Max working pressure - 210 Bar
- Max flow - approximately 45 litre / min
- Port sizes - A & B = 3/4" UNO
- Sun Cartridge Valve is Standard (CBCG-LJN)
- Can be supplied with command control valve on request
- Optional ports & sizes are available on request
- Optional elbow and tube assembly available on request

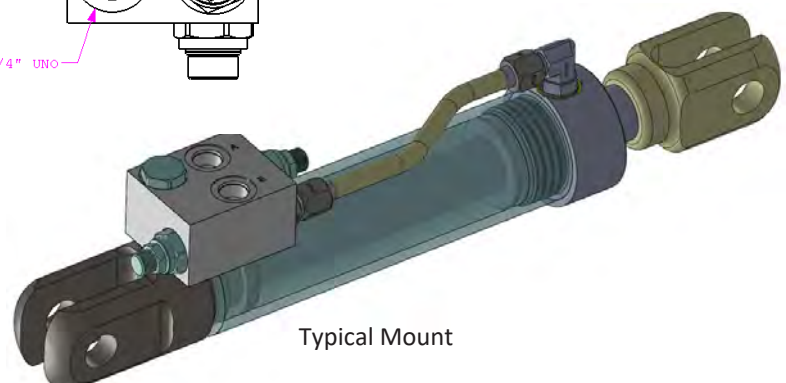
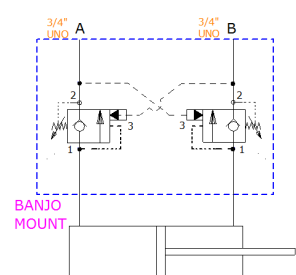
SPECIFICATIONS



SOCV-B



DOCV-B



PRODUCT OVERVIEW**TANK MOUNTED HAND PUMPS**

PRODUCT	MODEL	PRESSURE (BAR)		PAGE NUMBER
		Work P.	Max	
<i>With release hand knob and pressure relief valve</i>	<i>PM6-BYB-S</i>	<i>450</i>	<i>500</i>	<i>46</i>
<i>With release hand knob, with pressure relief valve</i>	<i>PM12-BYB-S</i>	<i>320</i>	<i>380</i>	<i>46</i>
<i>With release hand knob and pressure relief valve</i>	<i>PM25-BYB-S</i>	<i>120</i>	<i>350</i>	<i>46</i>
<i>With 4/3 divider closed centre and pressure relief valve</i>	<i>PMD12-BYB-S</i>	<i>320</i>	<i>380</i>	<i>47</i>
<i>With 4/3 divider closed centre and pressure relief valve</i>	<i>PMD45-BYB-S</i>	<i>80</i>	<i>280</i>	<i>47</i>
<i>Inline with release hand knob 50cc</i>	<i>PMO50-S</i>	<i>80</i>	<i>280</i>	<i>48</i>
<i>Inline with release hand knob 70cc</i>	<i>PMO70-S</i>	<i>50</i>	<i>200</i>	<i>48</i>

HAND PUMP TANKS & HANDLES

PRODUCT	MODEL	SPECIFICATIONS	PAGE NUMBER
<i>Hand Pump Tanks</i>	<i>AC-R SERIES</i>	<i>1-7 Litres Capacity</i>	<i>49</i>
<i>Hand Pump Handles</i>	<i>L27X SERIES</i>	<i>600-1000mm Length</i>	<i>49</i>

PRODUCT OVERVIEW

BOSS hand pumps are designed for numerous stand-alone applications that require small flow rates to move a hydraulic actuator in order to perform a basic operation.

Ideally suited to providing emergency oil flow when used with an electrically operated power pack (HPU) that has failed mid operation due to loss of electrical power to the motor. Save on costs by building them into the original design of the HPU.

Available in a range of application options, including tank mounted or inline hand pumps for single and double acting cylinders, with an array of functions available in different models such as release valve only, relief valve and pressure valve, 4 way 3 position closed/open centre valve and 2 speed with main and high flow release valve.

HAND PUMPS FOR SINGLE ACTING CYLINDERS

FUNCTION: RELEASE & PRESSURE RELIEF VALVES

FEATURES

- Manufactured in Europe
- Cast iron body
- Piston treated with Niploy
- White zinc plated support lever
- Lever connection $\varnothing 27$
- Standard colour black
- Oil tank mounting kit included
- Pump provides flow from both up and down stroke



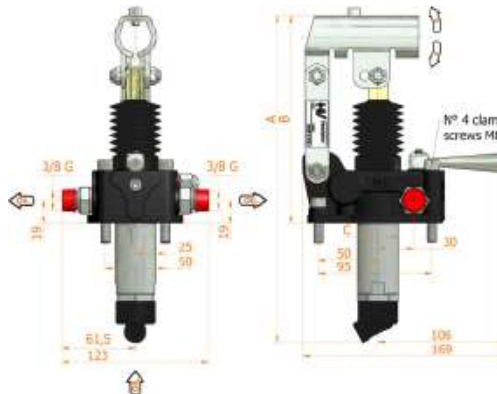
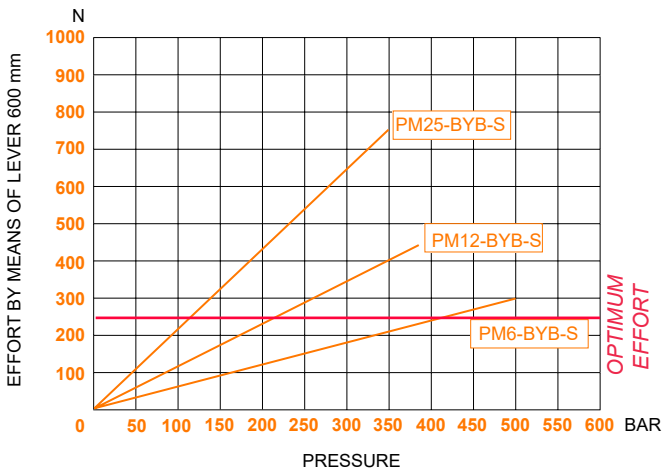
*Hand pump requires tank and handle

SPECIFICATIONS

Model	Displacement (cm ³)	A (mm)	B (mm)	C (mm)	D \varnothing	E \varnothing	Actual Displacement (cm ³)*	Pressure (Bar)		Weight (kg)
								Work P.	Max	
PM6-BYB-S	6	253	166	34	26	31	6.970	450	500	2.9
PM12-BYB-S	12	253	166	34	26	31	12.095	320	380	2.9
PM25-BYB-S	25	273	172	34	30	30	25.280	120	350	2.9

EFFORT DIAGRAM

Pin in D (distance between centers: 40 mm) PM6-BYB-S - PM12-BYB-S
Pin in E (distance between centers: 51 mm) PM25-BYBS



*Displacement requires 1 pump cycle. ie: 1 stroke up and 1 stroke down

HAND PUMPS FOR SINGLE & DOUBLE ACTING CYLINDERS

**FUNCTION: 4 WAY 3 POSITION A & B OPEN TO TANK
CENTRE VALVE WITH RELIEF VALVE**

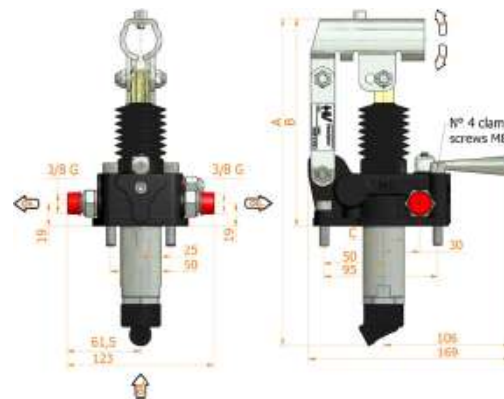
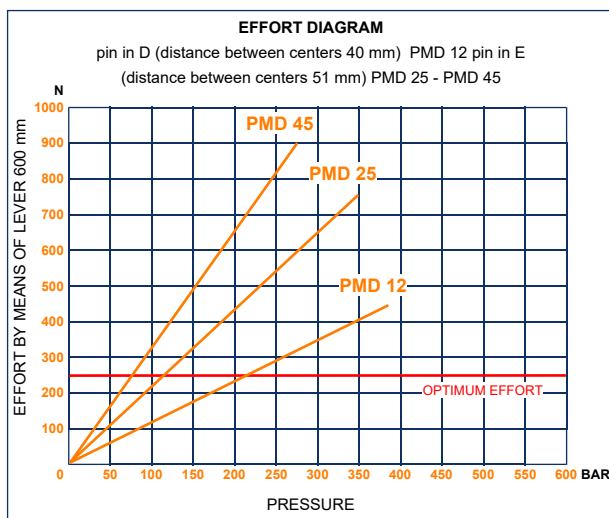
FEATURES

- Manufactured in Europe
- Cast iron body
- Piston treated with Niploy
- White zinc plated support lever
- Lever connection $\varnothing 27$
- Standard colour black
- Oil tank mounting kit included
- Pump provides flow from both up and down stroke

*Hand Pump requires tank and handle


SPECIFICATIONS

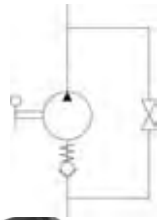
Model	Displacement (cm ³)	A (mm)	B (mm)	C (mm)	D °	E °	Actual Displacement (cm ³)*	Pressure (Bar)		Weight (kg)
								Work P.	Max	
PMD12-BYB-S	12	253	166	34	26	31	12.095	320	380	3.4
PMD25-BYB-S	25	273	172	34	30	30	25.820	120	350	3.45
PMD45-BYB-S	45	283	172	40	45	33	44.532	80	280	3.5



*Displacement requires 1 pump cycle. ie: 1 stroke up and 1 stroke down

HAND PUMPS FOR SINGLE ACTING CYLINDERS

FUNCTION: RELEASE VALVE ONLY



FEATURES

- Manufactured in Europe
- Cast iron body
- Piston treated with Niploy
- White zinc plated support lever
- Lever connection $\varnothing 27$
- Standard colour black
- Pump provides flow from both up and down stroke

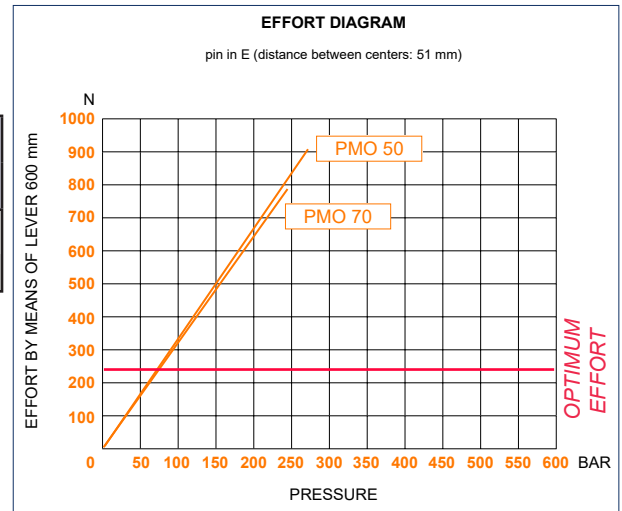


*Hand pump requires tank and handle

SPECIFICATIONS

Model	Displacement (cm ³)	D \varnothing	E \varnothing	Actual Displacement (cm ³)*	Pressure (Bar)		Weight (kg)
					Optimal	Max	
PMO50-S	50	45	37	43.825	80	280	3.4
PMO70-S	70	40	40	70.233	50	200	5.1

*Actual displacement requires 1 pump cycle. ie) 1 stroke up and 1 stroke down.



4 x 9mm through mount holes

PMO50-S



PMO70-S

4 x 9mm through mount holes



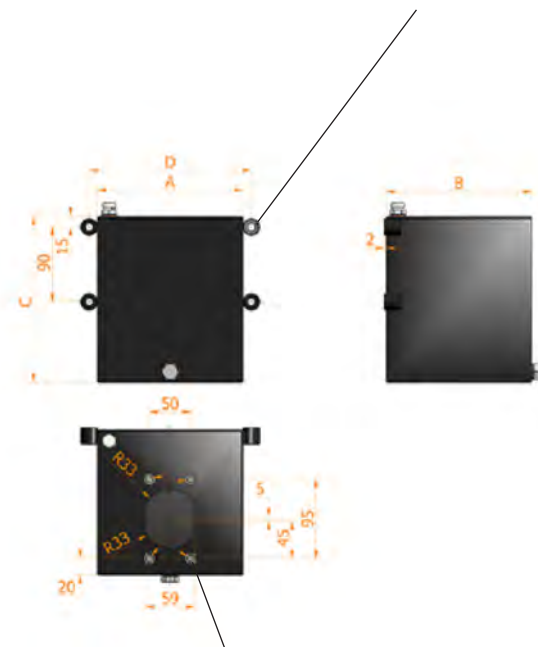
HAND PUMP TANKS

FEATURES

- Manufactured in Europe
- Suction pipe included
- Standard colour black
- Breather cap G1/4
- Drain plug G1/4
- Can be used underground (steel construction)
- Custom sizes available on request

SPECIFICATIONS

4 x 9mm through mount holes



4 x M8 hand pump mounting threads



S1AC-R



S3AC-R



S5AC-R



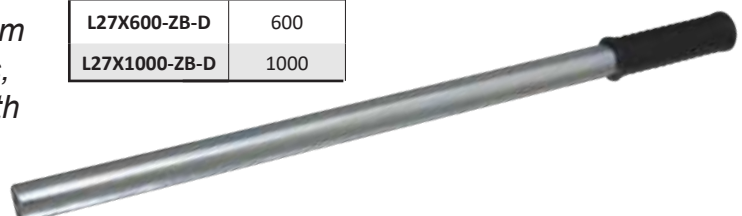
S7AC-R

Model	Capacity (litres)	A (mm)	B (mm)	C (mm)	D (mm)	Suction Pipe (mm)	Weight (kg)
S1AC-R	1	100	150	120	120	ø10x85	2.2
S3AC-R	3	100	150	255	120	ø10x180	3.7
S5AC-R	5	175	175	200	195	ø10x156	5.3
S7AC-R	7	175	175	275	195	ø10x215	6.6

HAND PUMP HANDLES

Available to operate hand pumps at the optimum effort, we also provide 27mm diameter handles, these are available as a standard 600mm length or 1000mm length for less effort. All handles come with black plastic grips

Model	Length (mm)
L27X600-ZB-D	600
L27X1000-ZB-D	1000



BOSS

HYDRAULICS

ASSEMBLED TO ORDER (ATO) HYDRAULIC POWER

PT
INDUSTRIAL



CUSTOM BUILT POWER UNITS

Our ATO program offers custom made power units manufactured to your specifications. Using only quality components, sourced locally and internationally, we specialise in working with our customers to design and build custom power units to their unique specifications .

PT
HYDRAULICS
AUSTRALIA

CUSTOM BUILT POWER UNITS

Standard Configuration

- *Vertically mounted motors up to 18.5kW*
- *Hydraulic tanks to 400L capacity*
- *Directional valves -*
 - *CETOP 2*
 - *CETOP 3*
 - *CETOP 5*
- *Sandwich valves to suit*
 - *Relief*
 - *Flow control*
 - *Check valves*
 - *Pilot operated check valves*
- *Manifold stack valves up to 6 station*
- *In tank return line filtration*
- *Electrical control boxes*



Other Build Configurations Available

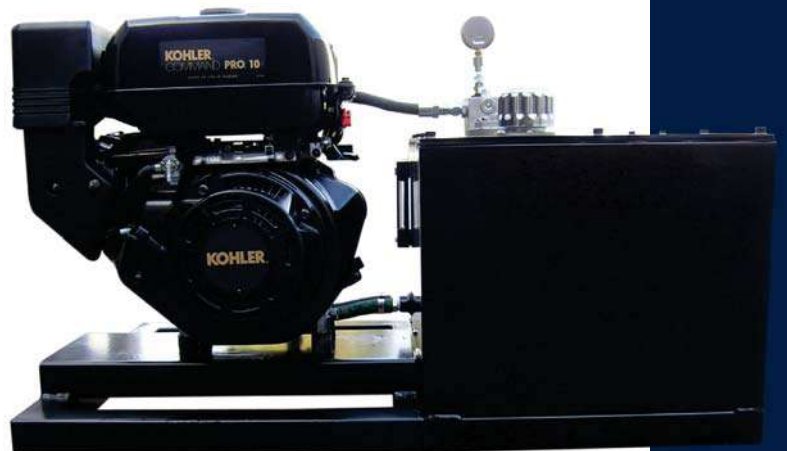
Tank top horizontal mount

Tank and skid "L" type

Power packs can be supplied with spill trays or full bund tank

Diesel/ Petrol Units

- *Built to your specifications*
- *Air cooled diesel engines (standard) up to 42 HP*
- *Water cooled diesel engines available*
- *Electric/ key start fitted as standard across all Diesel ATO's*
- *Lifting frames & forklift slots available*



Air Motor Drives

- *Piston Air Motors - 4.7kW, 2.4 HP to 23kW, 32 HP*
- *Vane Air Motors 0.44kW to 9.5 kW*
- *Ideal for applications where there is no electricity or air is the preferred power source*
- *Can be supplied with FRL units*
- *Units available with no aluminium content - suitable for underground coal mining applications*



ATO COMPONENTS



Electrical Control Boxes

- All control boxes manufactured in Australia to AS3000 Standard
- Control boxes can be fitted with local control buttons, with up to 6 functions
- Stop/ Start / Emergency Stop controls
- Control boxes can be fitted with pendant controls with up to 6 operational functions
- Pendants meet industry standard - 22mm button control

Coolers

- Air Blast
- Shell & Tube
- Plate



In-line Pressure Filtration

- High pressure - up to 350 Bar
- High collapse element
- Bypass Valve - Fitted or removed
- Blocking indicator - Manual/ Visual or Electrical

HYDRAULIC VALVES

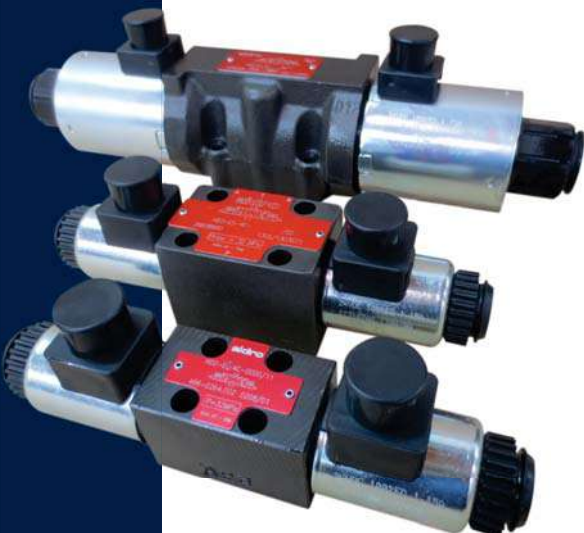
CETOP VALVES

- CETOP 2
- CETOP 3
- CETOP 5

- Interchangeable Voltage Coils
- Manual Overrides
- Flows & Pressures up to 120 L/m and 320 Bar

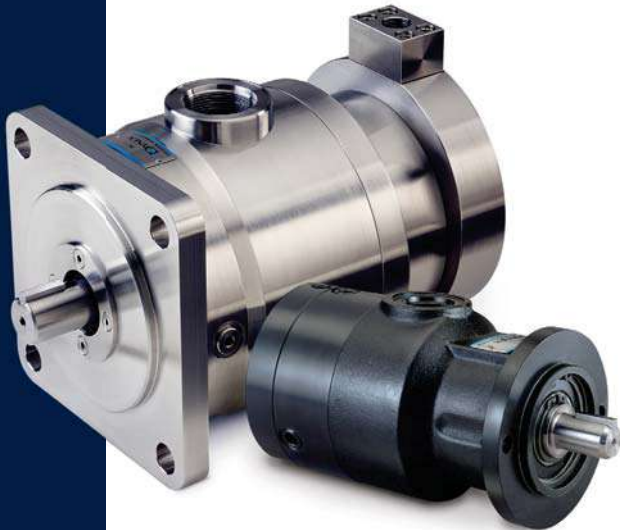
Options Available

- CETOP 3 Proportional valves and amplifier/ driver cards
- Explosive proof ATEX coils to Exd 11C T5 standard
- LED hirshmann indicator plugs can be fitted to valves
- Valves available with CETOP modular stackable sections
- Flow Controls
- Pilot Checks
- Cross Line Reliefs



DYNEX

HIGH PRESSURE PUMPS



PRESSURES TO 20 000 PSI (1380 BAR):

Dynex pumps operate with exceptional reliability at high pressures. Positive seating check valves provide better wear and higher efficiency. The compact design has a high horsepower-to-weight ratio, to handle higher loads than other pump designs. This makes checkball pumps ideal for use on high-pressure torque tools where higher speed or more power is required.

MULTIPLE FUNCTION CIRCUITS SIMPLIFIED:

The output from each piston in a Dynex pump can be isolated from the other pistons. This allows one multiple-outlet pump to replace as many as ten pumps. Flow from each outlet can operate at different pressures without affecting the flow or pressure from the other outlets. Piston outputs can be combined to supply different displacements. In circuits requiring synchronized movement, flow accuracy is greater than flow dividers.

COMPATIBILITY WITH A WIDE RANGE OF FLUIDS:

Dynex pumps provide reliable operation with extended life on R & D and production test stands. Pressure capability to 20 000 psi (1380 bar) and compatibility with various water-based, phosphate ester and MIL-SPEC fluids makes these pumps ideal for testing components used on commercial and military aircraft.

BI-DIRECTIONAL ROTATION:

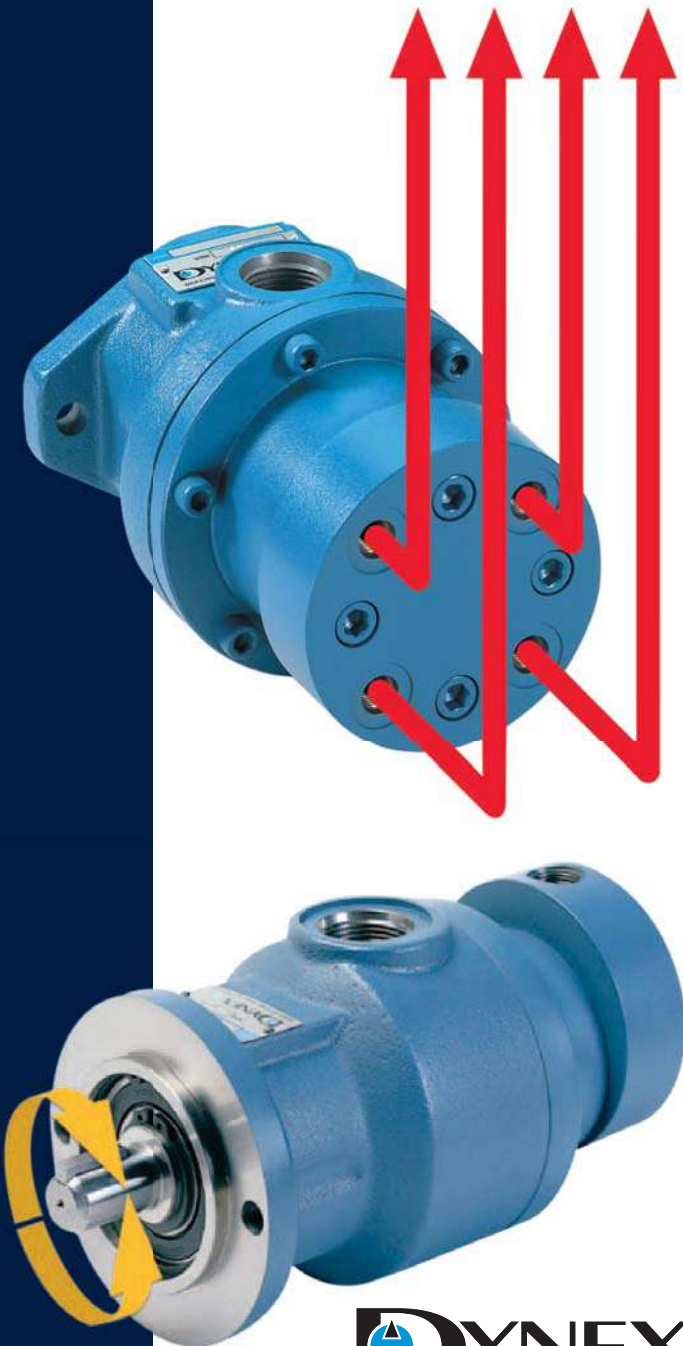
Dynex fixed displacement pumps provide constant flow direction regardless of drive shaft rotation. This prevents damage to hydraulic equipment when the pump is installed incorrectly or when electric motors are not wired properly. Only one model is required on both ends of double-ended motors or when coupled to reversible engines.

CONTAMINATION TOLERANT:

Dynex pumps operate with long life in extreme environments. The pumps resist failure due to contamination, with a large flushing path into pistons and through durable outlet check valves. They are ideal for conditions where dust and dirt cannot be totally removed by filtration. Applications include steel mills and metal processing, rock crushing equipment and solar powered systems that operate in remote locations around the world.

RESISTANT TO CAVITATION DAMAGE:

Other pump designs, as shown above, can be damaged by cavitation if air inadvertently enters the system. If the oil level falls below the intake pipe or if an inlet valve is closed at startup, other pump designs will quickly fail. Decompression shock in Dynex pumps is reduced, because the outlet checks do not unseat until pumped fluid reaches load pressure.



ATO

HYDRAULIC POWER

ORDER SPECIFICATION

Duty Cycle	Continuous	Intermittent	Use Once									
Working Pressure Bar												
Pressure Relief Valve	YES	NO										
Relief Valve Setting												
Flow- LPM												
Piston Pump	Vane Pump			Gear Pump								
Gear Pump Displacements Available	GP1	1.1cc	1.3cc	1.6cc	2.1cc	2.7cc	3.2cc	3.7cc	4.2cc	4.8cc	5.8cc	8.0cc
	GP2	4cc	6cc	8cc	10cc	12cc	14cc	16cc	20cc	25cc		
	GP3	20cc	26cc	33cc	39cc	46cc	55cc	63cc				
Motor	AC	240volt		415volt		AIR Motor (Vane / Piston)			DC		ENGINE	
		2P	4P	6P	8P				12V	24V	PETROL	DIESEL
Tank Capacity-LTR	40	50	75	130	200	300	400	Specify				
Return Filtration	Yes	No	Micron		5um	10um	25um	Clogging Indicator		YES	NO	
Pressure Gauge	Yes	No	Test Point			No	Yes					
Pressure Filtration	Yes	No	Micron		5um	10um	25um	Clogging Indicator		YES	NO	
Manifold	CT3	P & T with Relief					Series					
	CT5	Bulkhead Only					Parallel					
Directional Control Valves		A51			1C	Other (Please Specify)						
		4ML										
		1LL										
		4C										
		0C										
		3C										
Control Voltage	12VDC	24VDC	24VAC	115VAC	240VAC							
Options	Pendant		Other Options									
	Wiring Loom											
	Power Lead											

OR CALL 1300 BOSS HYD
TO DISCUSS YOUR REQUIREMENTS

ALSO AVAILABLE FROM **PT INDUSTRIAL**

P: 03 9562 8800

E: sales@pthydraulics.com.au



10,000 PSI hydraulic tools & equipment

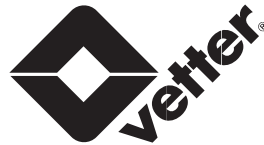
- Hydraulic cylinders
- Hydraulic pumps
- Hydraulic tools & accessories

- Square drive hydraulic torque wrenches
- Low clearance hydraulic torque wrenches
- Hydraulic torque wrench pumps, hoses & accessories

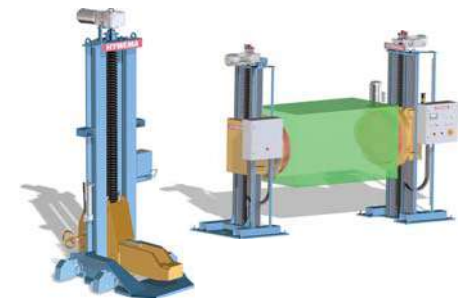
- Water glycol pumps
- High pressure piston pumps (20,000 PSI)
- Stainless steel piston pumps
- Split flow pumps
- High pressure DCV's



- CETOP3 Valves
- Stackable Valves



- Pneumatic lifting bags
- Pipe & leak sealing equipment
- HAZMAT & decontamination equipment
- Pneumatic tents



- Synchronised mobile lifting equipment
- Lifting and rotating equipment
- Scissor lifts and tilting tables



- Hydraulic power units
- AC & DC power units
- Pendants & wiring looms
- Assemble To Order (ATO) Power Units



- Radial piston motors
- Vane air motors
- Compact piston air motors
- Air driven liquid test units



- AG cylinders
- Mobile valves
- CETOP valves
- Hand pumps

WARRANTY POLICY

BOSS Hydraulics offers a 1 year warranty on their 350 bar range of products against manufacturer's defects and workmanship. This warranty does not cover parts that have been misused or used for a purpose other than which it was intended. General wear and tear of any products is also not covered under this warranty. Motors and batteries are warranted separately according to the original manufacturer's warranty.

Warranty may also be void if:

- *Modifications are made to the product*
- *The product has been repaired by an unauthorised repair centre*
- *Non recommended fluids are used*

LIABILITY OF SUPPLIER

Total liability held by BOSS Hydraulics with regards to the warranty of products against defects is limited. BOSS Hydraulics will have the option to either repair, replace or refund the product at their sole discretion. BOSS Hydraulics will not be liable for any direct, indirect, consequential or economic loss or incidental damages of any kind as a result of any act or omission by BOSS Hydraulics. All transport costs to/from BOSS Hydraulics or an authorised agent will be at the product owner's expense.

HOW TO CLAIM

If you believe your BoOSS Hydraulic product is defective and warranty applies please contact BOSS Hydraulics or an authorised agent.

To fully determine the validity of a warranty claim the product will/may be required to be returned to BOSS Hydraulics or an authorised agent.

All products returned must be accompanied by both return authorisation and proof of purchase.

