

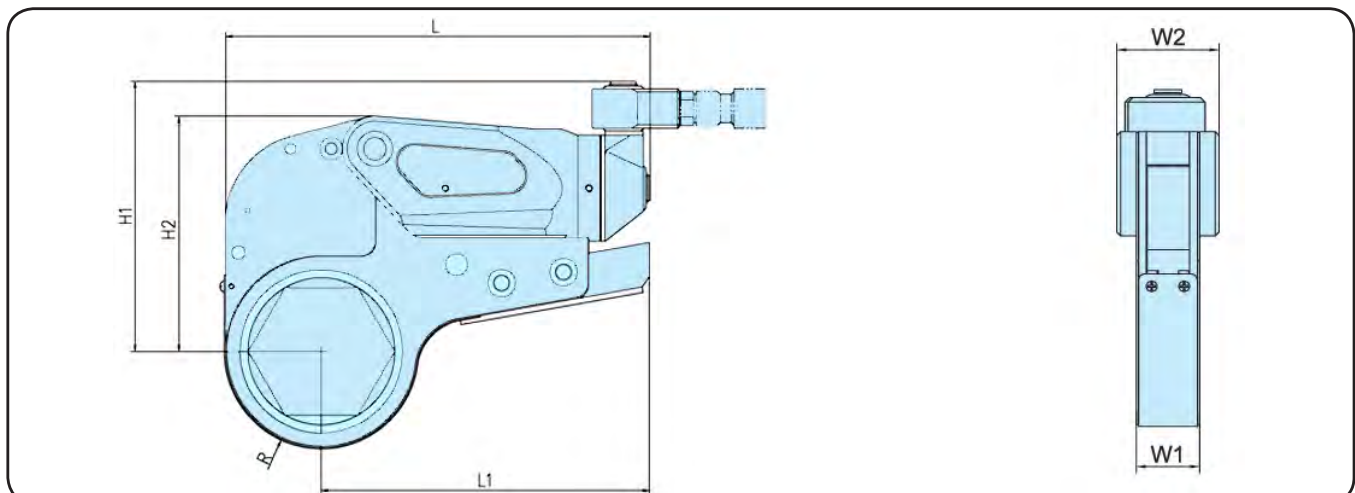
MODEL: PTLC - SERIES

- ProTorc PTLC Low Clearance Hydraulic Torque Wrenches are manufactured using high grade aluminium-titanium alloy and high strength alloy
- Equipped with a 360 x 270 degree uni-swivel coupling eradicating hose kinking
- The tools ultra-thin profile and light weight enables it to be used in confined areas where access may be restricted
- Required torque is maintained due to the anti-reverse pawl design which prevents the ratchet returning
- Torsion resistant housing and torsion free operation
- Quick-Torc lever design enables rapid cycle
- User friendly design enables fast switching of cassette links
- Comes with convenient carry case
- Two Year Manufacturers Warranty*



		PTLC02	PTLC05	PTLC10	PTLC20	PTLC25	PTLC40
Max. Torque	Nm	2534	5392	10452	16245	22899	40639
	ft/lbs	1870	3979	7714	11989	16900	29992
Min. Torque	Nm	244	489	1017	1724	2247	4064
	ft/lbs	180	361	751	1272	1658	2999
Hex Size (mm)		27 - 50	27 - 65	50 - 90	85 - 115	95 - 135	100 - 155
Head Part No.		PTLCH02	PTLCH05	PTLCH10	PTLCH20	PTLCH25	PTLCH40
Link Part No.		PTLCL02-***	PTLCL05-***	PTLCL10-***	PTLCL20-***	PTLCL25-***	PTLCL40-***
L (mm)		205	251.3	302.5	367	400.5	457.5
L1 (mm)		147	188	233	283	308	364
H1 (mm)		129	163	191	223	246	282
H2 (mm)		100	136	166.5	198	224	265
W1 (mm)		32	41	53	64	70	84
W2 (mm)		50	66	83	99	110	132
R (mm)		41.3	53.8	68.8	85.3	98.8	115.8
Weight (kg)		2.2	5	9.6	16.9	22.9	38

*** Please refer to Hex Links & Reducers information on Pg: 68-69



* Conditions apply - contact us for more information