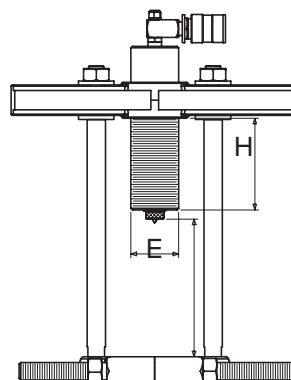
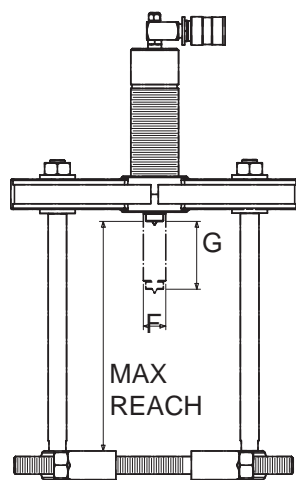
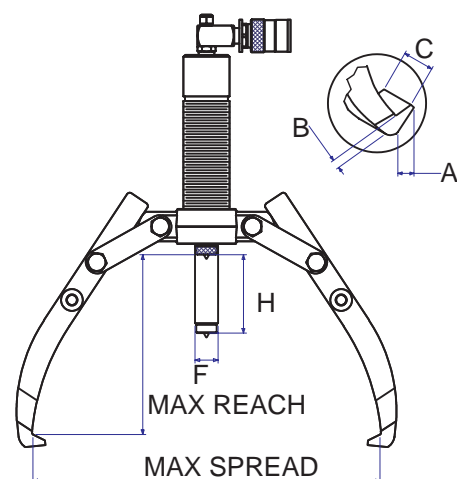




## MODEL: HPRP-K -SERIES

- Hydraulic puller with separate hand pump
- Capacity : 4, 8 & 12 ton models
- Supplied with 2/ 3 jaw and straight leg attachments
- Includes cross bearing attachment
- Kit includes hose, gauge and gauge adaptor
- Maximum working pressure : 10,000 psi / 700 Bar



## FEATURES

- Heat treated, chrome plated and alloy steel studs
- 2/ 3 jaw pulling head
- 360° handle rotation
- Easy access release valve
- Removable spring loaded self centering nut

## OPTIONAL LONGER JAWS

Model (Puller)	Model (Jaw)	Cap Ton	Reach Max (mm)
HPRP4	1B12062	4	222
HPRP8	1B12064	8	308
HPRP12	1B12065	12	340

## SPECIFICATIONS

Model	Cap Ton	Reach Max (mm)	Spread Max (mm)	Jaw Tip (mm)			Pump Tip (mm)			Stroke (mm) H	Weight (kg)
				A	B	C	E	F	G		
HPRP4K	4	185/211	255/250	11	6	22	42	22	84	60	4.5/8.5
HPRP8K	8	230/243	350/250	11	10	25	50	25	122	85	6.5/12.6
HPRP12K	12	270/288	375/250	14	10	29	60	28	115	85	8.0/18.0